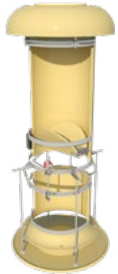




PRODUCT OVERVIEW

INLET CHIMNEYS



ARC-D



ARC-F



MIC



AIC



EXHAUST CHIMNEYS



CBC



CDC



RDC



RBC



RELATED PRODUCTS

ROOF SOLUTIONS



DRIP TRAYS



RAIN CAPS / CONES



CHIMNEY EXTENSION



LIGHT TRAPS



SUSPENSION MATERIALS



VALVES



CORNERS & T-PIECES



VENTILATION CONCEPTS



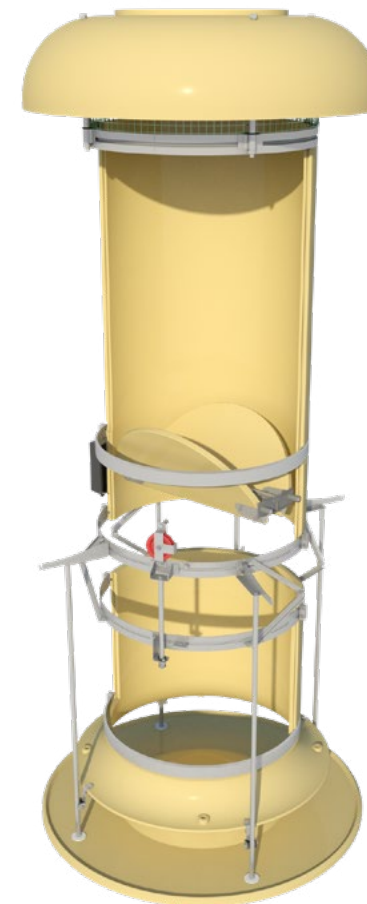
Automatic Recirculation Chimney Dynamic – ARC-D

This chimney is equipped with an adjustable recirculation opening. Because of this the ARC-D is perfectly suitable in equal pressure ventilation concepts. The recirculation opening allows warm air from inside the house to be mixed with fresh air from outside. With recirculation techniques you can save on heating costs.

The dynamic part of this chimney is in the bottom section which can freely move between the top section and the diffuser plate. When the recirculation opening increases the opening between the air guide and diffuser plate decreases. The fan speed is then adjusted to interact with these openings to always guarantee the same throw of air.

Three variables are automatically controlled to adapt to changing climate conditions. 1: the recirculation opening which is relative to the opening between the air guide and diffuser plate. 2: the fan speed. 3: the position of the damper unit's flaps to control the volume of incoming air.

* This chimney requires a fan, fan not included, in the bottom section. All of our chimneys are made out of high quality polyurethane.


[INFO](#)
[DATASHEET](#)
[ASSEMBLY](#)
[MOUNTING](#)
[WORKING](#)
[MAINTENANCE](#)




ARC-DYNAMIC DATASHEET



INFORMATION

Run (metric)	200mm
Run (imperial)	7,9"
Chimney 640	
Force (metric)	17kg
Force (imperial)	167N
Total Weight*	44,8kg / 99lbs
Total Height	2716mm / 106.9"
Chimney 720	
Force (metric)	18kg
Force (imperial)	177N
Total Weight*	48,2kg / 107lbs
Total Height	2826mm / 11.26"
Chimney 820	
Force (metric)	19kg
Force (imperial)	187N
Total Weight*	57,1kg / 11.26lbs
Total Height	2826mm / 11.26"
Chimney 920	
Force (metric)	21kg
Force (imperial)	206M
Total Weight*	64,2kg / 142lbs
Total Height	2866mm / 112.8"

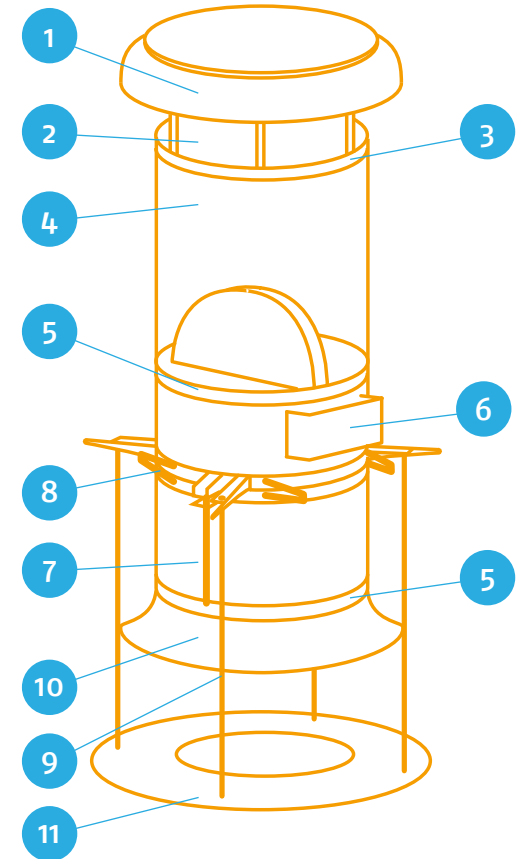
* Without fan

ITEMS IN ASSEMBLY

Article	Amount
1. Rain Cap	1
2. Wire Mesh	1
3. Connection Ring For Rain Cap	1
4. Half Shell 0,5m / 19.69"	2
5. Connection Ring 45mm / 1.77"	2
6. Damper Unit	1
7. Half Shell 1,0m / 39.37"	2
8. ARC Lifting Mechanism	1
9. Guiding Rods	4
10. Air Guide	1
11. Diffuser Plate	1

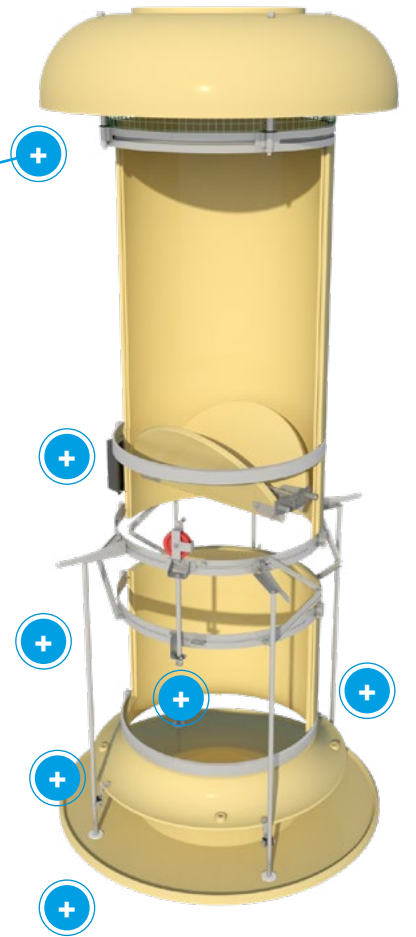
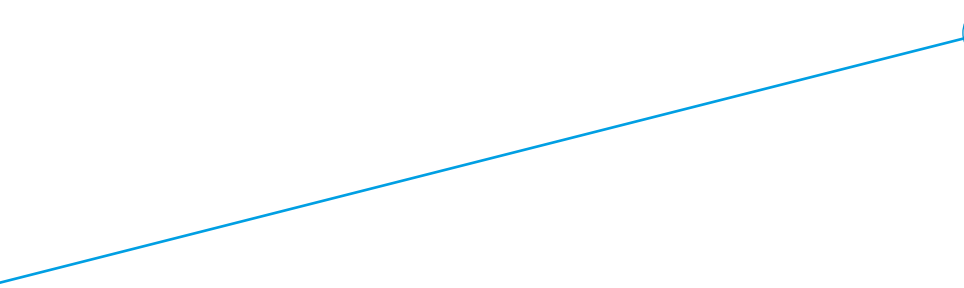
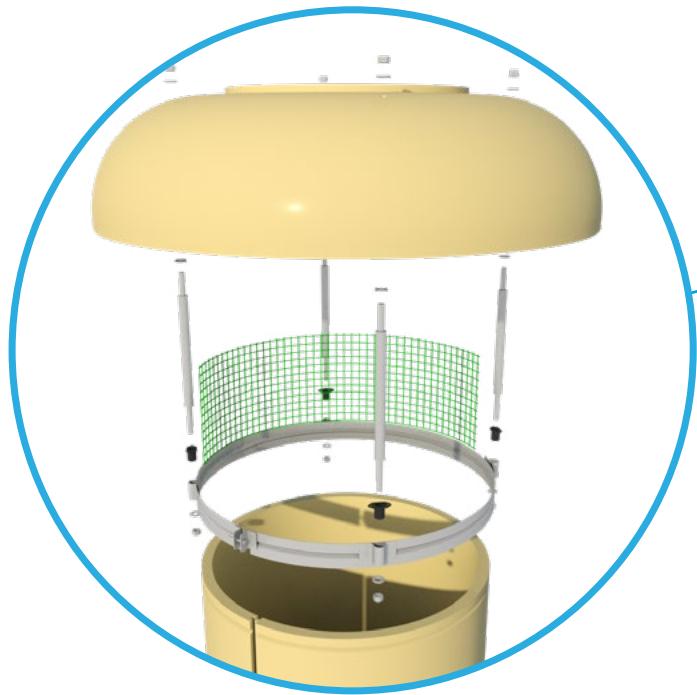


Thickness of PU half shells is 25mm / 1"


[INFO](#)
[DATASHEET](#)
[ASSEMBLY](#)
[MOUNTING](#)
[WORKING](#)
[MAINTENANCE](#)




ARC-DYNAMIC ASSEMBLY



INFO

DATASHEET

ASSEMBLY

MOUNTING

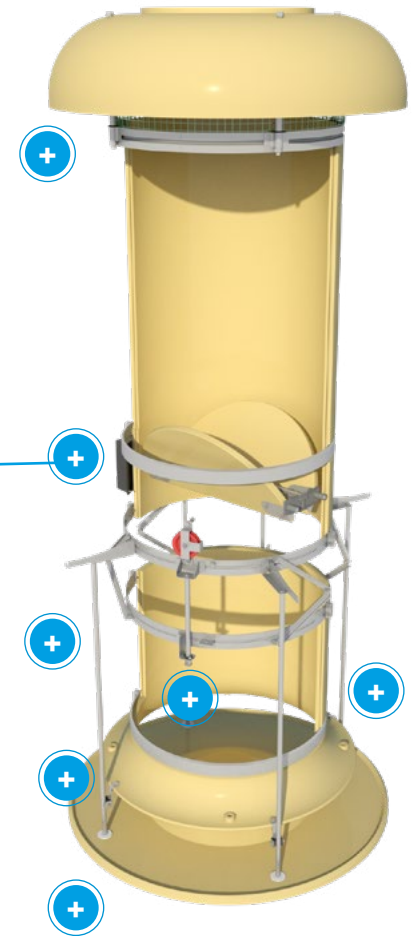
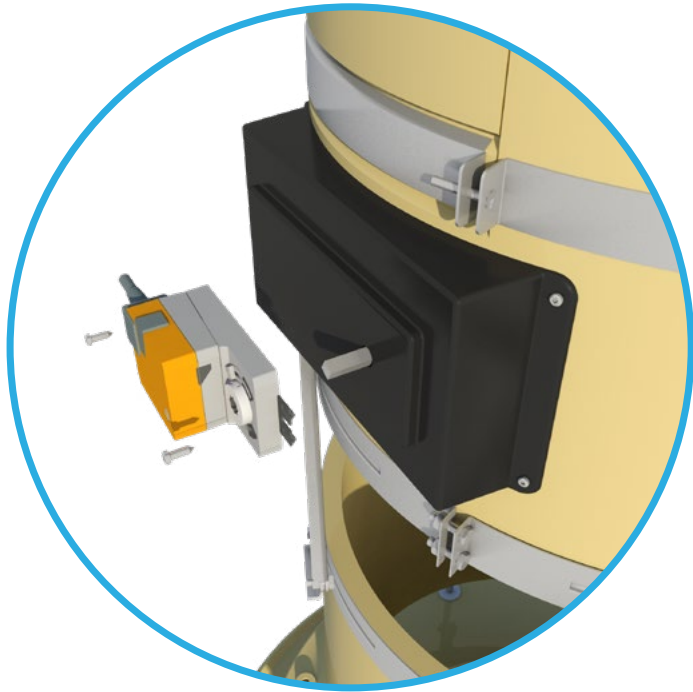
WORKING

MAINTENANCE





ARC-DYNAMIC ASSEMBLY



[INFO](#)

[DATASHEET](#)

[ASSEMBLY](#)

[MOUNTING](#)

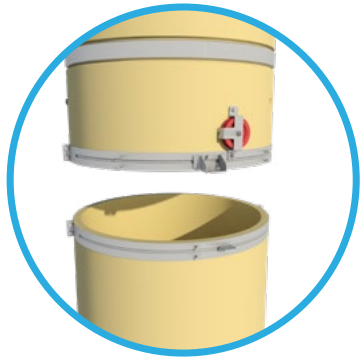
[WORKING](#)

[MAINTENANCE](#)





ARC-DYNAMIC ASSEMBLY



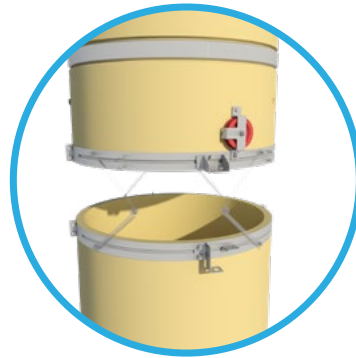
Step 1

Afbeelding 1:
Bolt the pulley wheel onto the chimney and onto the hinge, where the screw socket is welded on.



Step 2

Always bolt the upper part of the hinge's arms onto the upper ring first, after which the bottom part is bolted on.



Step 3

Bolt the supports for the guiding rod onto the bottom ring.



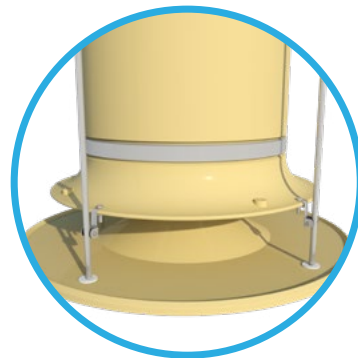
Step 4

Insert the guiding rods through the supports and fixate them to the mounts on the upper ring.



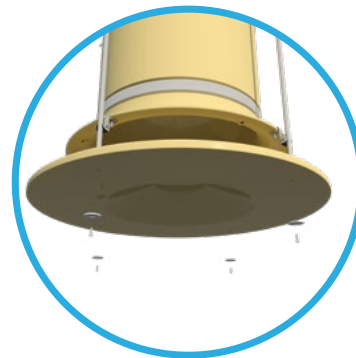
Step 5

Bolt the arms and support rods onto the upper ring.



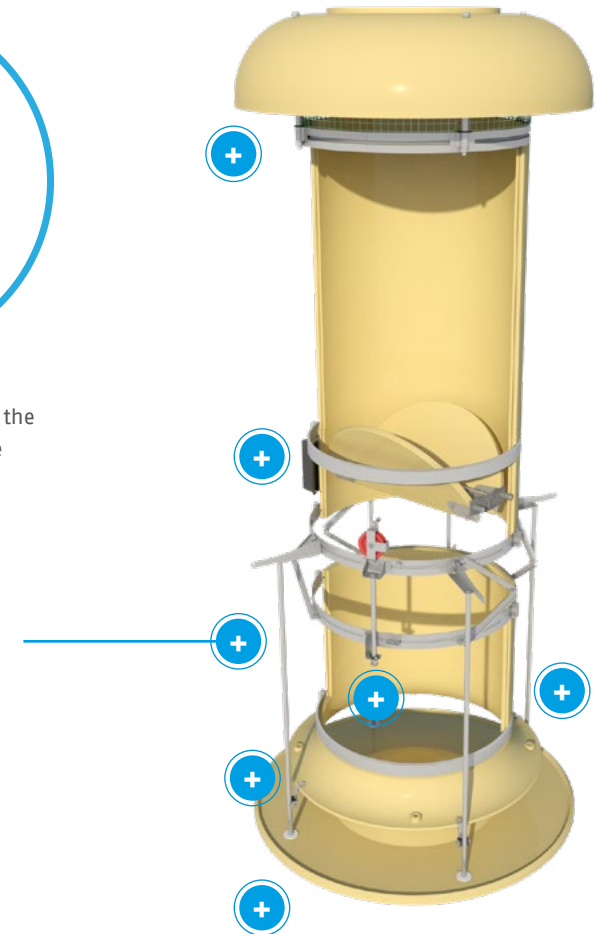
Step 6

Bolt the guiding wheels for the support rods onto the air guide.



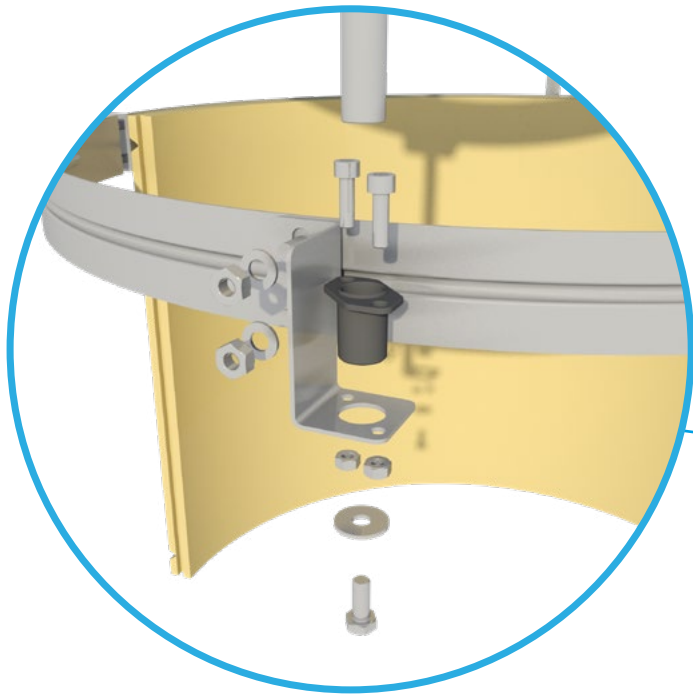
Step 7

Bolt the diffuser plate onto the support rods.


[INFO](#)
[DATASHEET](#)
[ASSEMBLY](#)
[MOUNTING](#)
[WORKING](#)
[MAINTENANCE](#)




ARC-DYNAMIC ASSEMBLY



INFO

DATASHEET

ASSEMBLY

MOUNTING

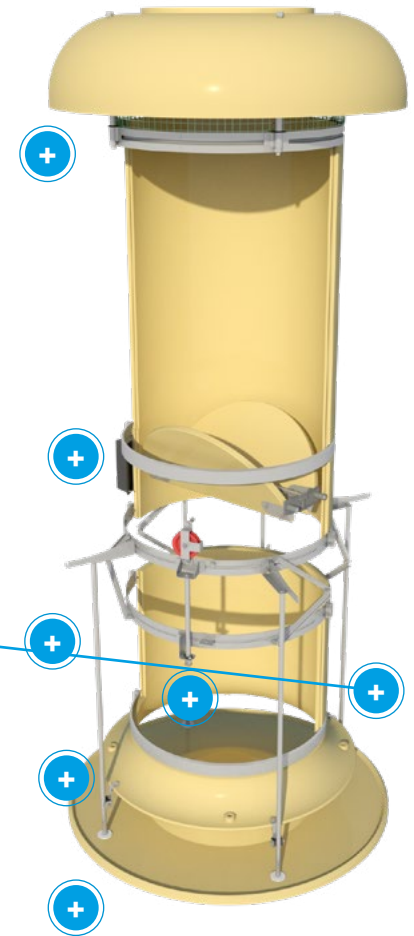
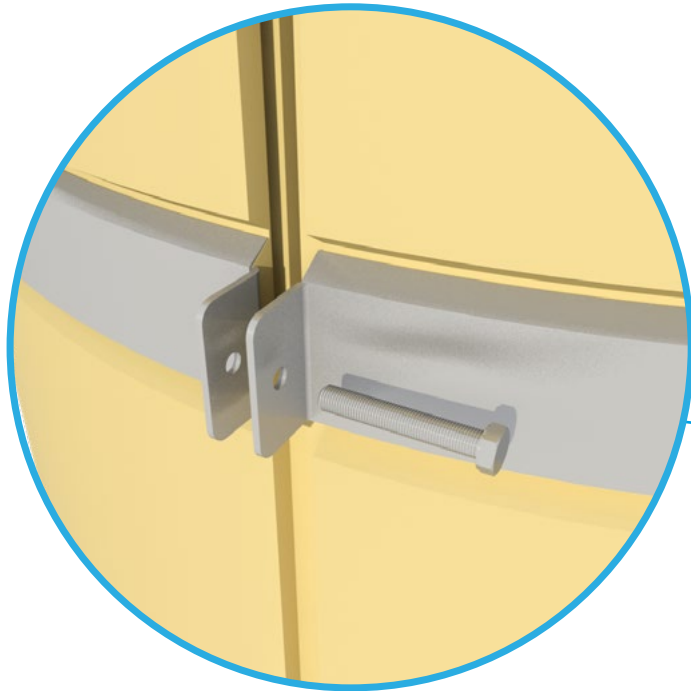
WORKING

MAINTENANCE





ARC-DYNAMIC ASSEMBLY



INFO

DATASHEET

ASSEMBLY

MOUNTING

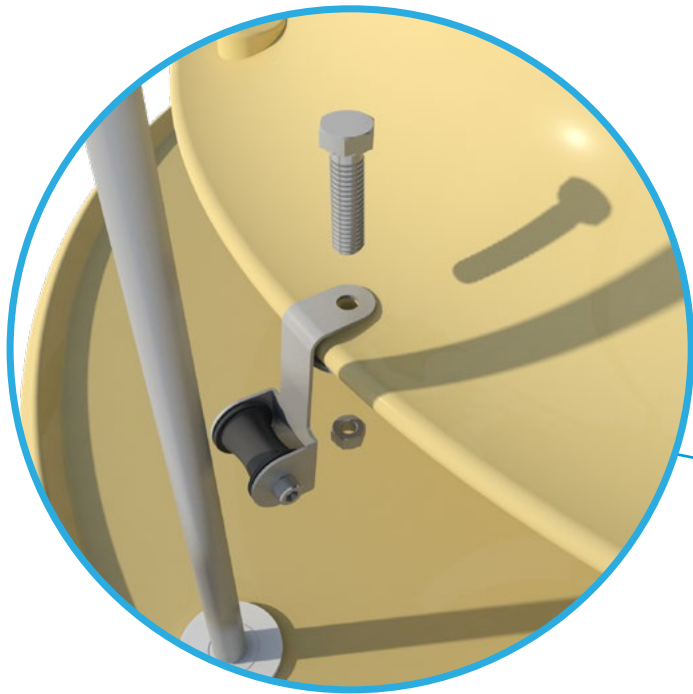
WORKING

MAINTENANCE





ARC-DYNAMIC ASSEMBLY



INFO

DATASHEET

ASSEMBLY

MOUNTING

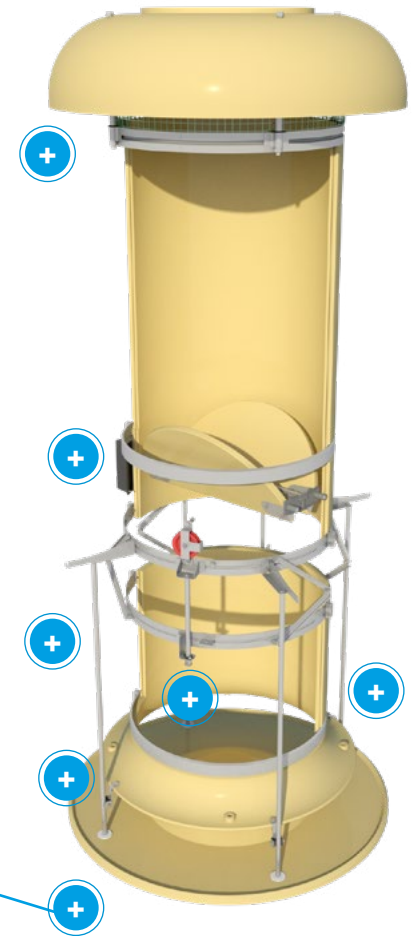
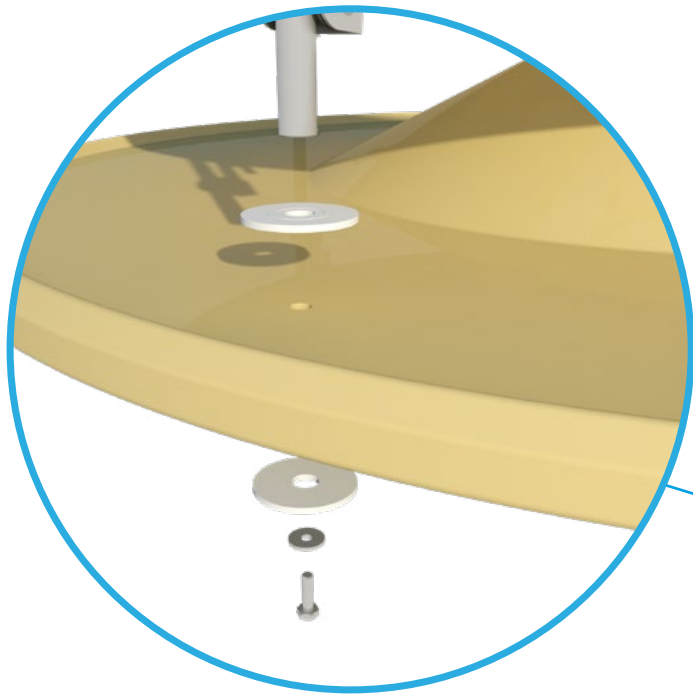
WORKING

MAINTENANCE





ARC-DYNAMIC ASSEMBLY



[INFO](#)

[DATASHEET](#)

[ASSEMBLY](#)

[MOUNTING](#)

[WORKING](#)

[MAINTENANCE](#)





ARC-DYNAMIC MOUNTING

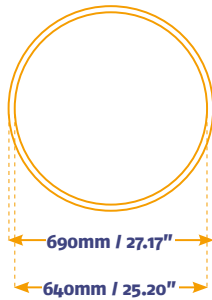


MOUNTING

All sizes are in mm and inches

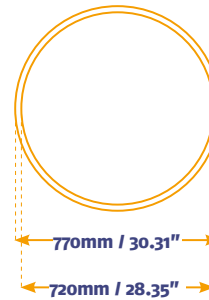
Chimney 640

Inner Diameter	640mm / 25.20"
Outer Diameter	690mm / 27.17"
Total height	2716mm / 106.9"
Widest dimension	1150mm / 45.28" Diffuser



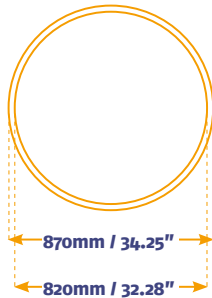
Chimney 720

Inner Diameter	720mm / 28.35"
Outer Diameter	770mm / 30.31"
Total height	2826mm / 11.26"
Widest dimension	1150mm / 45.28" Diffuser



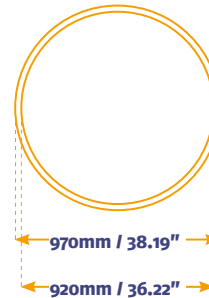
Chimney 820

Inner Diameter	820mm / 32.28"
Outer Diameter	870mm / 34.25"
Total height	2826mm / 11.26"
Widest dimension	1410mm / 55.5" Diffuser

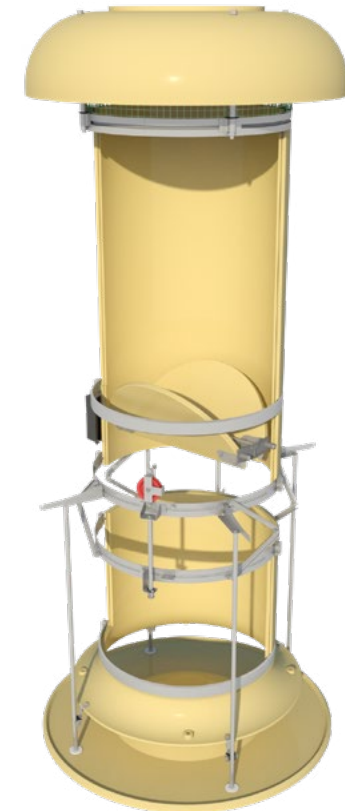


Chimney 920

Inner Diameter	920mm / 36.22"
Outer Diameter	970mm / 38.19"
Total height	2866mm / 112.8"
Widest dimension	1410mm / 55.5" Diffuser



Total Height



Widest dimension

INFO

DATASHEET

ASSEMBLY

MOUNTING

WORKING

MAINTENANCE





ARC-DYNAMIC WORKING

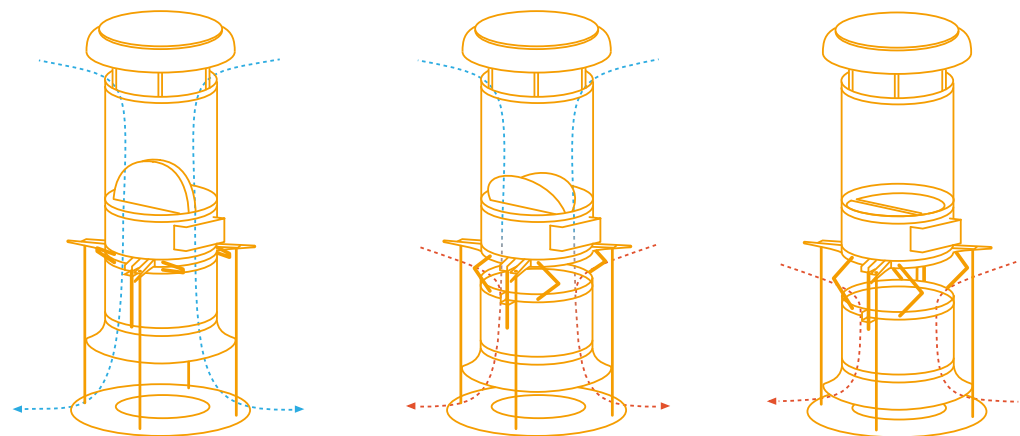


Automatic Recirculation Chimney

As the name suggests this chimney works with recirculation of air. By mixing warm inside air with cold outside air. The pre-heated mixture then enters the building without directly dropping to the floor. With the automatic recirculation chimney, the climate control controls the 3 items. The opening of the valve for outside air, the movement of the bottom section and the speed of fan.

Dynamic

The bottom section moves freely between the upper part and the diffuser plate. Because the fan is positioned in the bottom section, air is sucked in through the recirculation opening above. The bigger the recirculation opening is the smaller the gap between the air guide and diffuser plate. This spacing guarantees optimal throw of air. This chimney is ideal for equal and negative pressure concepts.


[INFO](#)
[DATASHEET](#)
[ASSEMBLY](#)
[MOUNTING](#)
[WORKING](#)
[MAINTENANCE](#)



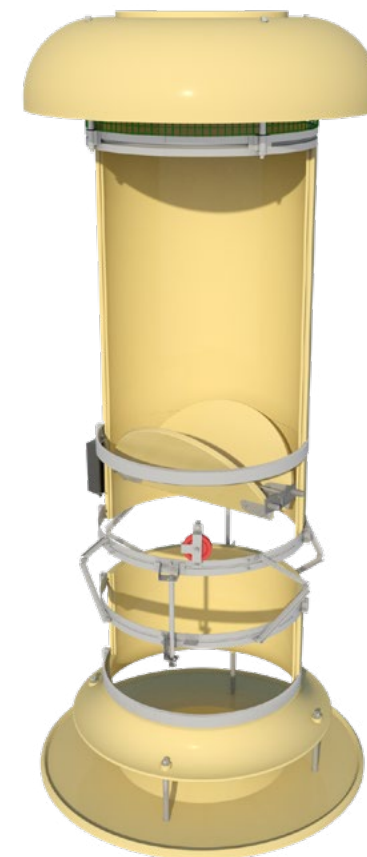

Automatic Recirculation Chimney Fixed - ARC-F

This chimney is equipped with an adjustable recirculation opening. Because of this the ARC-F is perfectly suitable in equal pressure ventilation concepts. The recirculation opening allows warm air from inside the house to be mixed with fresh air from outside. With recirculation techniques you can save on heating costs.

The fixed part of this chimney is in the bottom section which has the diffuser plate fixed to the air guide. This means that the recirculation opening can be adjusted independently from the opening between the air guide and diffuser plate.

Three variables are automatically controlled to adapt to changing climate conditions. 1: the recirculation opening. 2: the fan speed. 3: the position of the damper unit's flaps to control the volume of incoming air.

* This chimney requires a fan, fan not included, in the bottom section. All of our chimneys are made out of high quality polyurethane.


[INFO](#)
[DATASHEET](#)
[ASSEMBLY](#)
[MOUNTING](#)
[WORKING](#)
[MAINTENANCE](#)




ARC-FIXED DATASHEET



INFORMATION

Run (metric) 200mm

Run (imperial) 7,9"

Chimney 640

Force (metric) 23kg

Force (imperial) 226N

Total Weight* 46,7kg / 103lbs

Total Height 2558mm / 100.7"

Chimney 820

Force (metric) 25kg

Force (imperial) 246N

Total Weight* 57,9kg / 127lbs

Total Height 2668mm / 105.04"

Chimney 720

Force (metric) 24kg

Force (imperial) 236N

Total Weight* 50kg / 111lbs

Total Height 2668mm / 105.04"

Chimney 920

Force (metric) 28kg

Force (imperial) 255N

Total Weight* 64,2kg / 142lbs

Total Height 2708mm / 106.6"

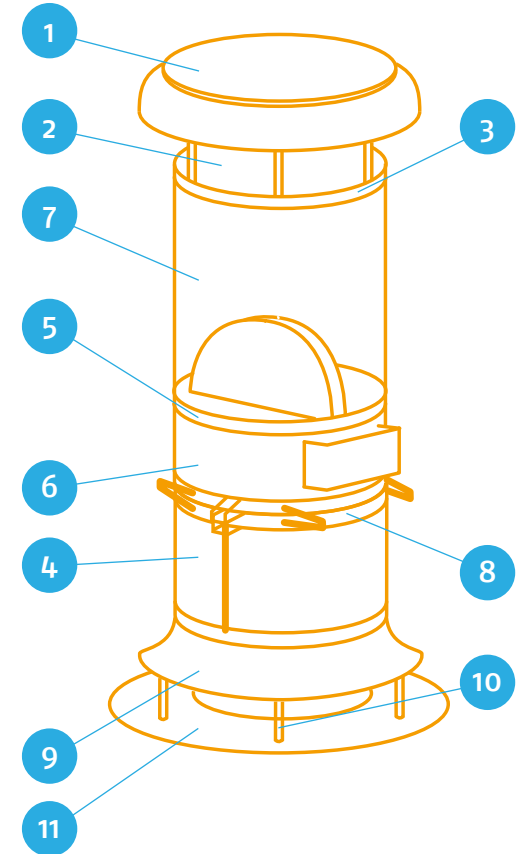
* Without fan

ITEMS IN ASSEMBLY

Article	Amount
1. Rain Cap	1
2. Wire Mesh	1
3. Connection Ring For Rain Cap	1
4. Half Shell 0,5m / 19.68"	2
5. Connection Ring 45mm / 1.77"	2
6. Damper Unit	1
7. Half Shell 1,0m / 39.37"	2
8. ARC Lifting Mechanism	1
9. Air Guide	1
10. Spacer Set	1
11. Diffuser Plate	1

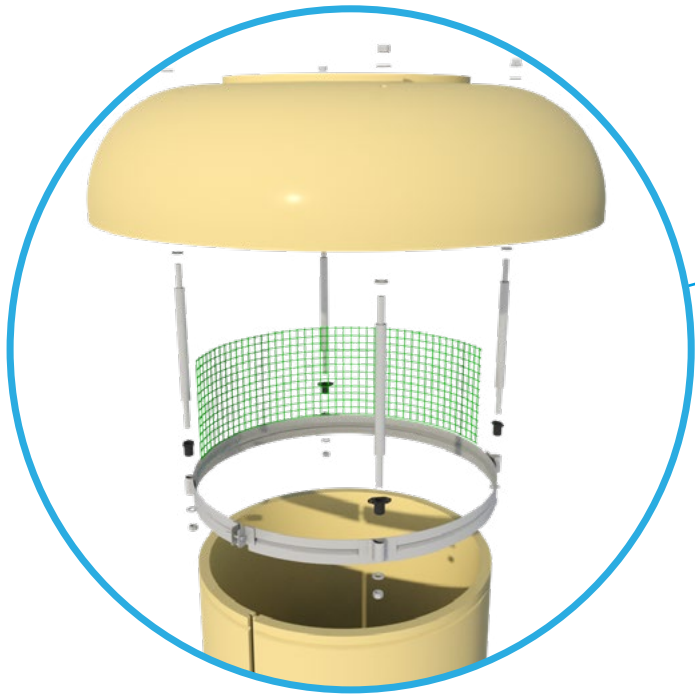


Thickness of PU half shells is 25mm / 1"


[INFO](#)
[DATASHEET](#)
[ASSEMBLY](#)
[MOUNTING](#)
[WORKING](#)
[MAINTENANCE](#)




ARC-FIXED ASSEMBLY



INFO

DATASHEET

ASSEMBLY

MOUNTING

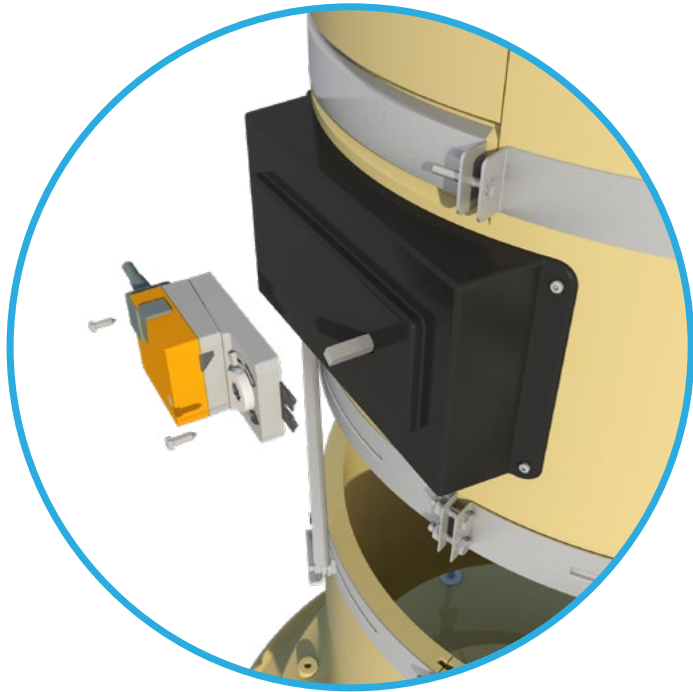
WORKING

MAINTENANCE





ARC-FIXED ASSEMBLY



INFO

DATASHEET

ASSEMBLY

MOUNTING

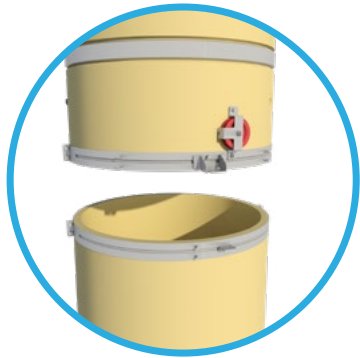
WORKING

MAINTENANCE





ARC-FIXED ASSEMBLY



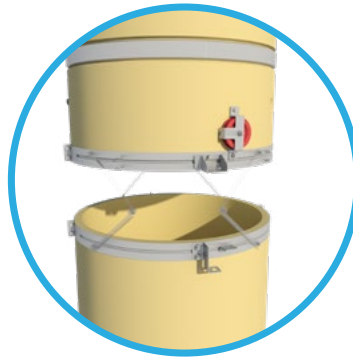
Step 1

Bolt the pulley wheel onto the chimney and onto the hinge, where the screw socket is welded on.



Step 2

Always bolt the upper part of the hinge's arms onto the upper ring first, after which the bottom part is bolted on.



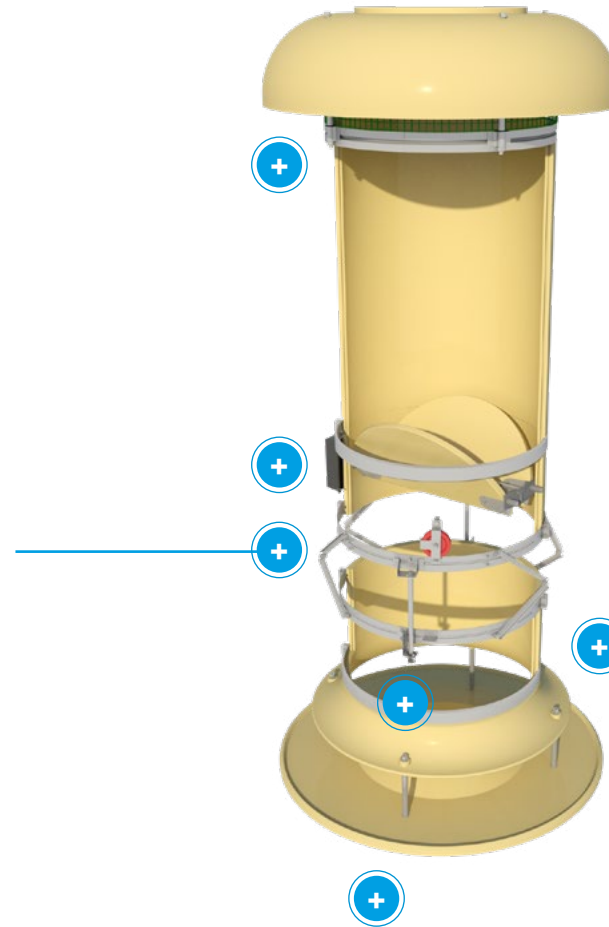
Step 3

Bolt the supports for the guiding rod onto the bottom ring.



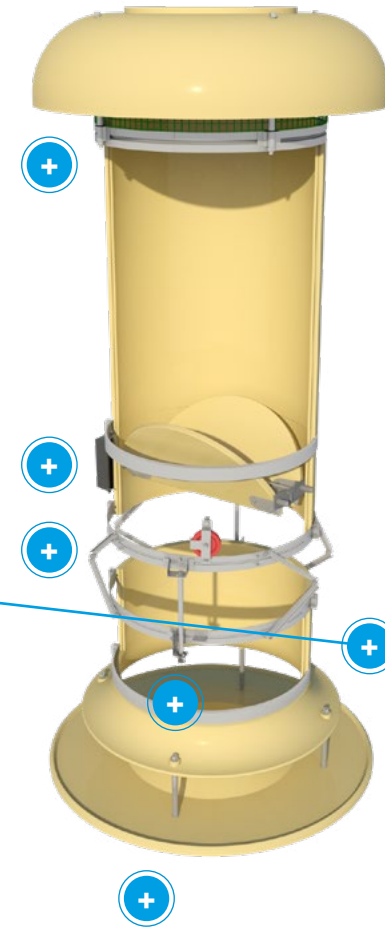
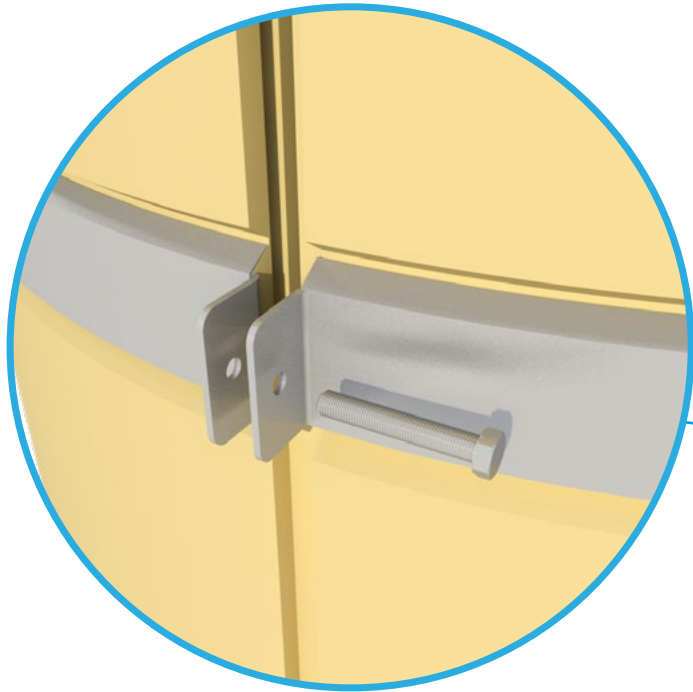
Step 4

Insert the guiding rods through the supports and fixate them to the mounts on the upper ring.


[INFO](#)
[DATASHEET](#)
[ASSEMBLY](#)
[MOUNTING](#)
[WORKING](#)
[MAINTENANCE](#)




ARC-FIXED ASSEMBLY



INFO

DATASHEET

ASSEMBLY

MOUNTING

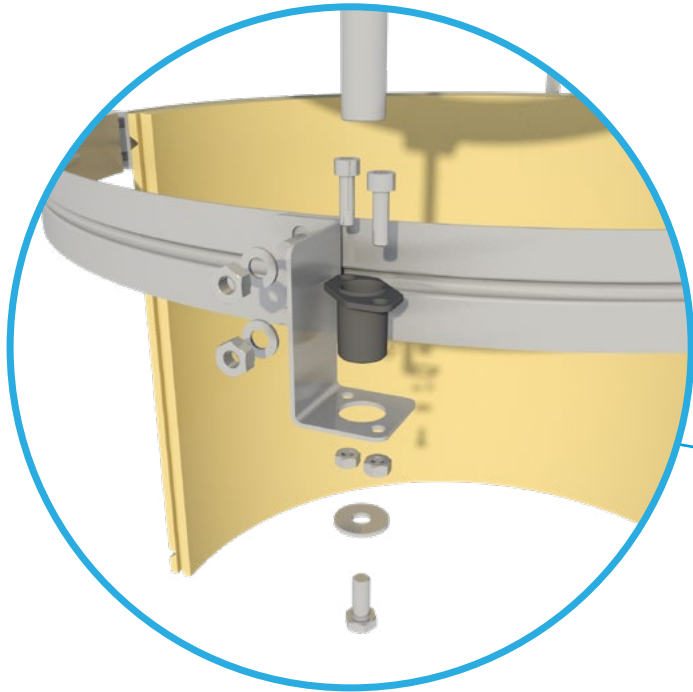
WORKING

MAINTENANCE





ARC-FIXED ASSEMBLY



INFO

DATASHEET

ASSEMBLY

MOUNTING

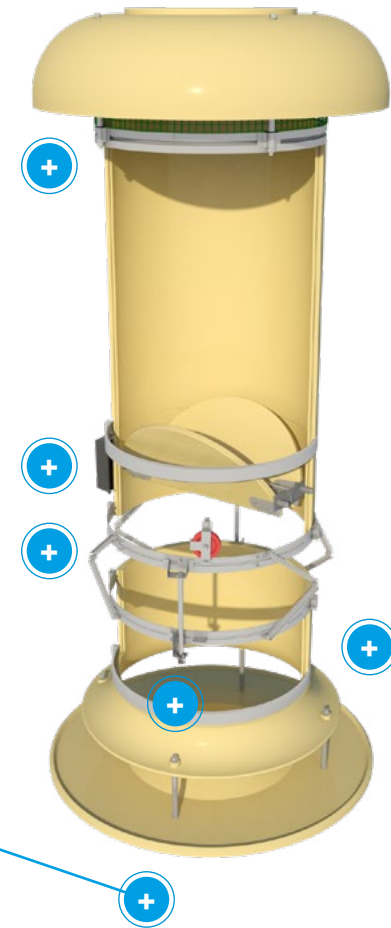
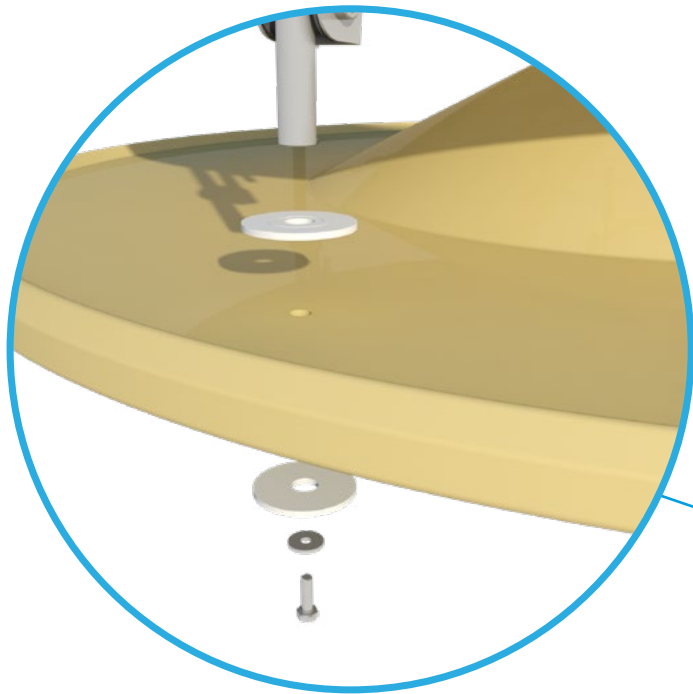
WORKING

MAINTENANCE





ARC-FIXED ASSEMBLY



- [INFO](#)
- [DATASHEET](#)
- [ASSEMBLY](#)**
- [MOUNTING](#)
- [WORKING](#)
- [MAINTENANCE](#)
- 



ARC-FIXED MOUNTING

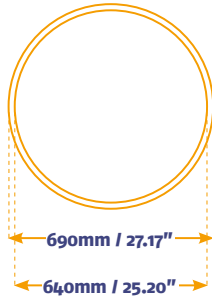


MOUNTING

All sizes are in mm and inches

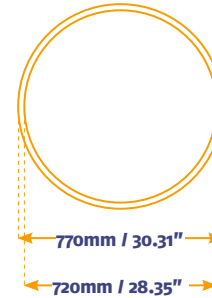
Chimney 640

Inner Diameter	640mm / 25.20"
Outer Diameter	690mm / 27.17"
Total height	2558mm / 100.7"
Widest dimension	1150mm / 45.28" Diffuser



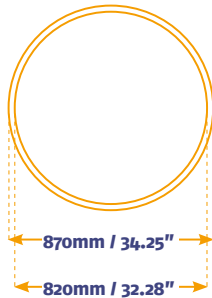
Chimney 720

Inner Diameter	720mm / 28.35"
Outer Diameter	770mm / 30.31"
Total height	2668mm / 105.04"
Widest dimension	1150mm / 45.28" Diffuser



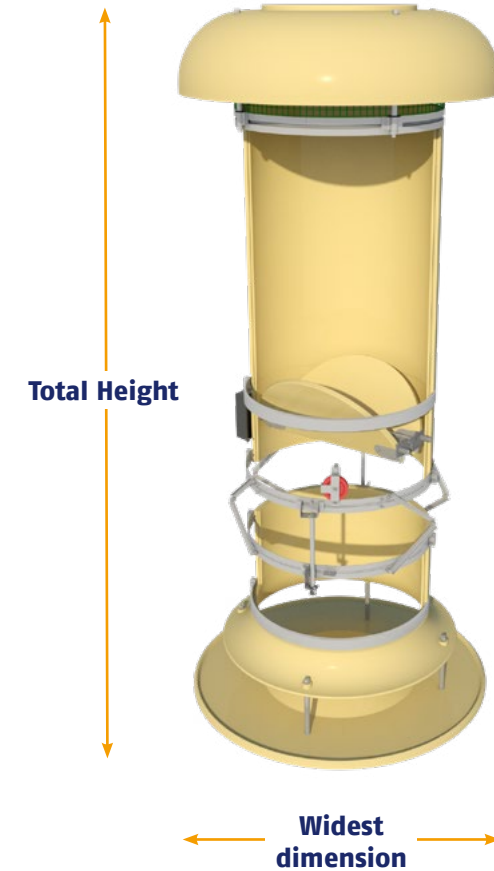
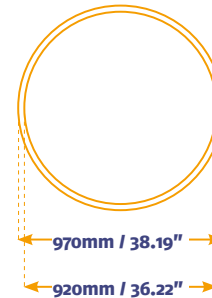
Chimney 820

Inner Diameter	820mm / 32.28"
Outer Diameter	870mm / 34.25"
Total height	2668mm / 105.04"
Widest dimension	1410mm / 55.5" Diffuser



Chimney 920

Inner Diameter	920mm / 36.22"
Outer Diameter	970mm / 38.19"
Total height	2708mm / 106.6"
Widest dimension	1410mm / 55.5" Diffuser


[INFO](#)
[DATASHEET](#)
[ASSEMBLY](#)
[MOUNTING](#)
[WORKING](#)
[MAINTENANCE](#)




ARC-FIXED WORKING

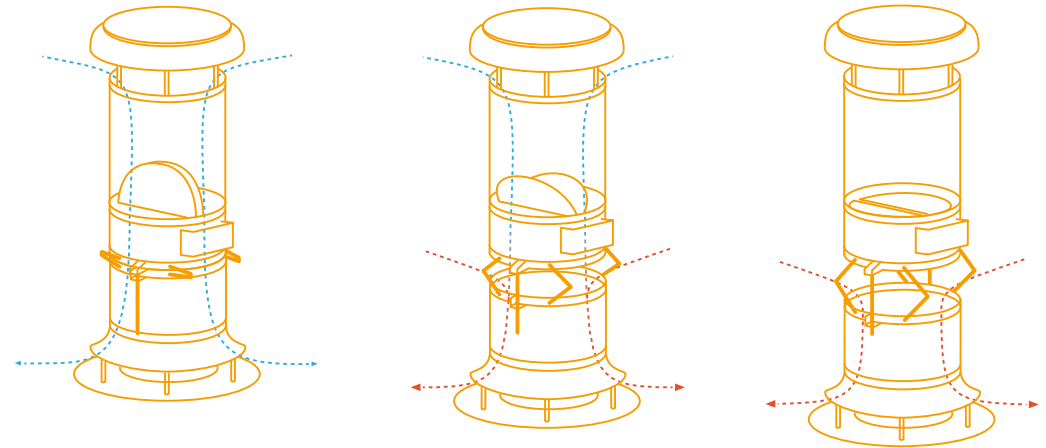


Automatic Recirculation Chimney

As the name suggests this chimney works with recirculation of air. By mixing warm inside air with cold outside air. The pre-heated mixture then enters the building without directly dropping to the floor. With the automatic recirculation chimney, the climate control controls the 3 items. The opening of the valve for outside air, the movement of the bottom section and the speed of fan.

Fixed

The entire bottom section of this chimney can be lowered to create a recirculation opening. This opening allows inside air to enter and be mixed with the outside air. The fan is positioned in the bottom section of the chimney. This chimney is ideal for equal and negative pressure concepts.


[INFO](#)
[DATASHEET](#)
[ASSEMBLY](#)
[MOUNTING](#)
[WORKING](#)
[MAINTENANCE](#)




Mixing Inlet Chimney - MIC

Unique to this chimney is the mixing fan mounted underneath the diffuser plate. When the main fan speed is lowered during minimum ventilation the mixing fan ensures a stable throw of air. This mixing fan creates a film of warm air which carries the incoming fresh air. A damper unit is used to control the volume of incoming air.

* This chimney requires a fan in the bottom section. All of our chimneys are made out of high quality polyurethane.

[INFO](#)[DATASHEET](#)[ASSEMBLY](#)[MOUNTING](#)[WORKING](#)[MAINTENANCE](#)



MIC DATASHEET



INFORMATION

Chimney 640

Total Weight* 35,3kg / 78lbs

Total Height 2193mm / 86.34"

Chimney 720

Total Weight* 37,6kg / 83lbs

Total Height 2303mm / 90.67"

Chimney 820

Total Weight* 45,7kg / 101lbs

Total Height 2303mm / 90.67"

Chimney 920

Total Weight* 50,2kg / 111lbs

Total Height 2343mm / 92.24"

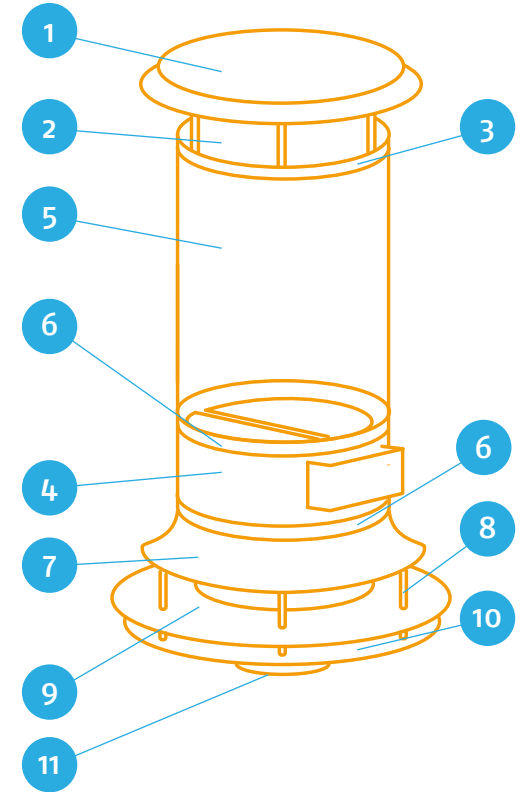
* Without fan

ITEMS IN ASSEMBLY

Article	Amount
1. Rain Cap	1
2. Wire Mesh	1
3. Connection Ring For Rain Cap	1
4. Damper Unit	1
5. Half Shell 1,0m / 39.37"	2
6. Connection Ring 45mm / 1.77"	2
7. Air Guide	1
8. Spacer Set	1
9. Diffuser Plate	1
10. Bottom Plate	1
11. Mixing Fan	1

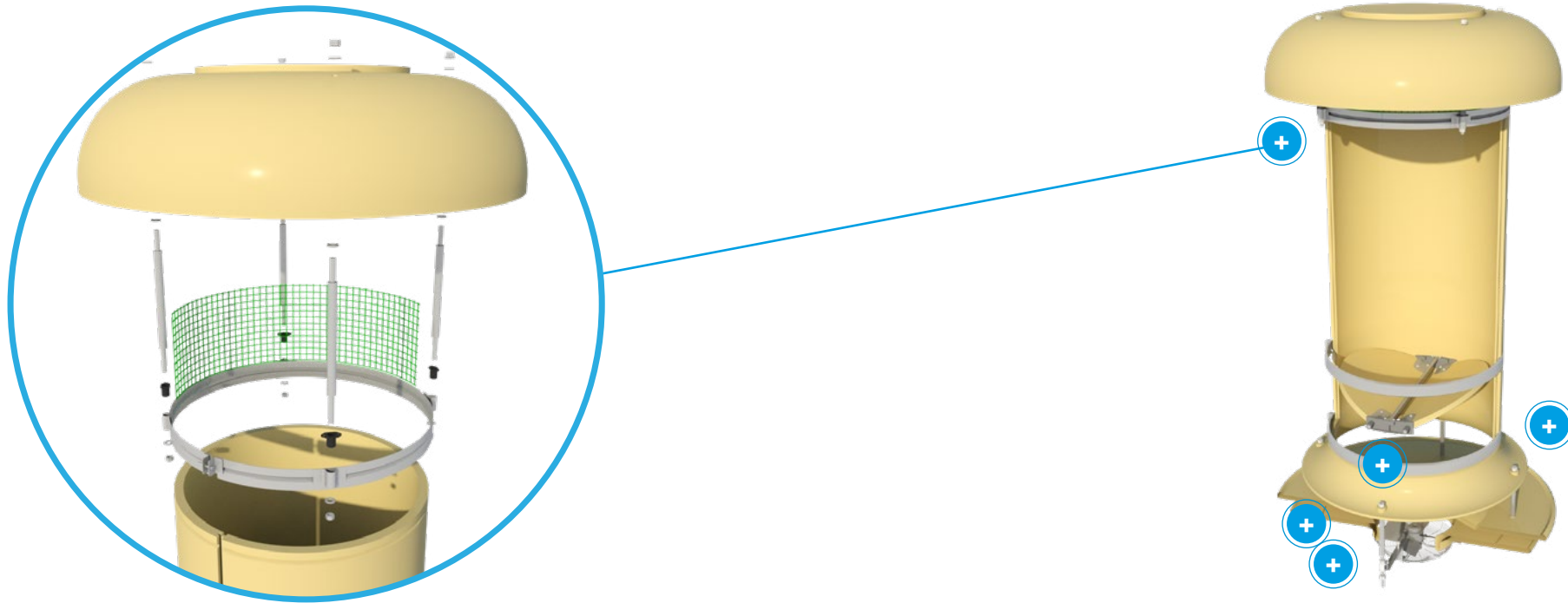


Thickness of PU half shells is 25mm / 1"


[INFO](#)
[DATASHEET](#)
[ASSEMBLY](#)
[MOUNTING](#)
[WORKING](#)
[MAINTENANCE](#)




MIC ASSEMBLY



INFO

DATASHEET

ASSEMBLY

MOUNTING

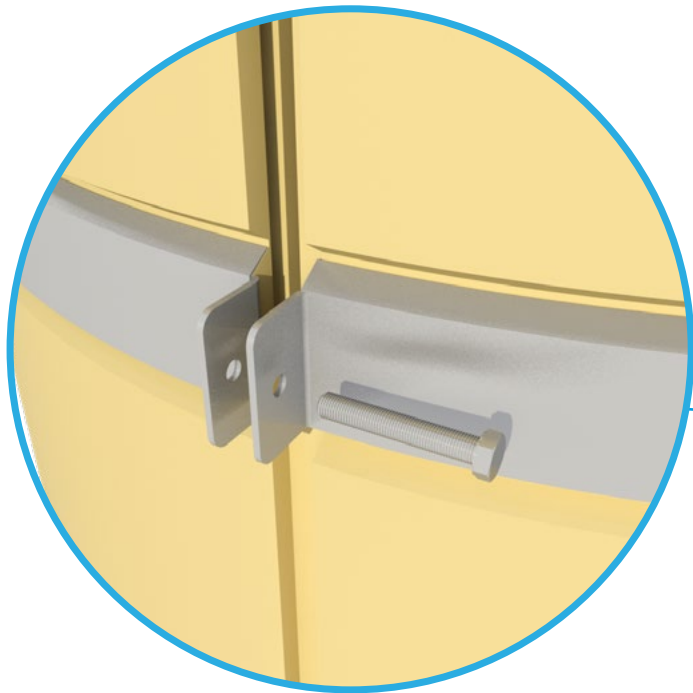
WORKING

MAINTENANCE





MIC ASSEMBLY



INFO

DATASHEET

ASSEMBLY

MOUNTING

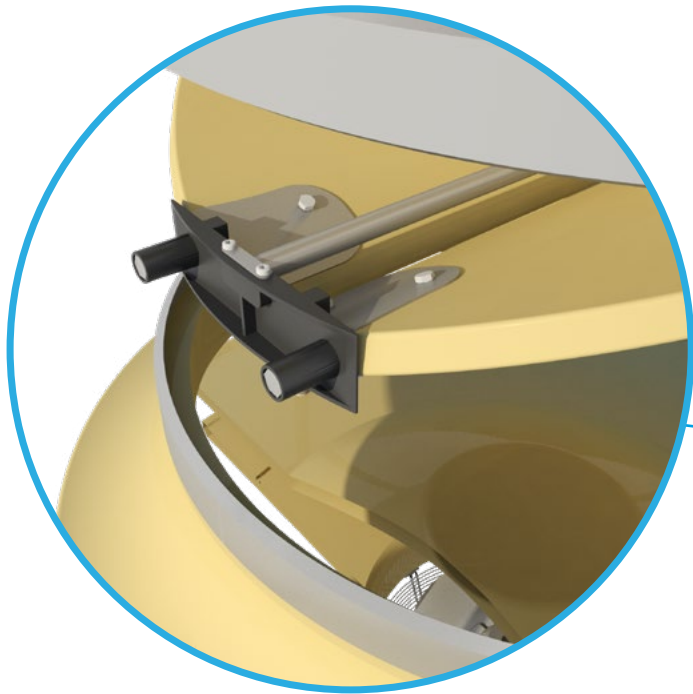
WORKING

MAINTENANCE





MIC ASSEMBLY



INFO

DATASHEET

ASSEMBLY

MOUNTING

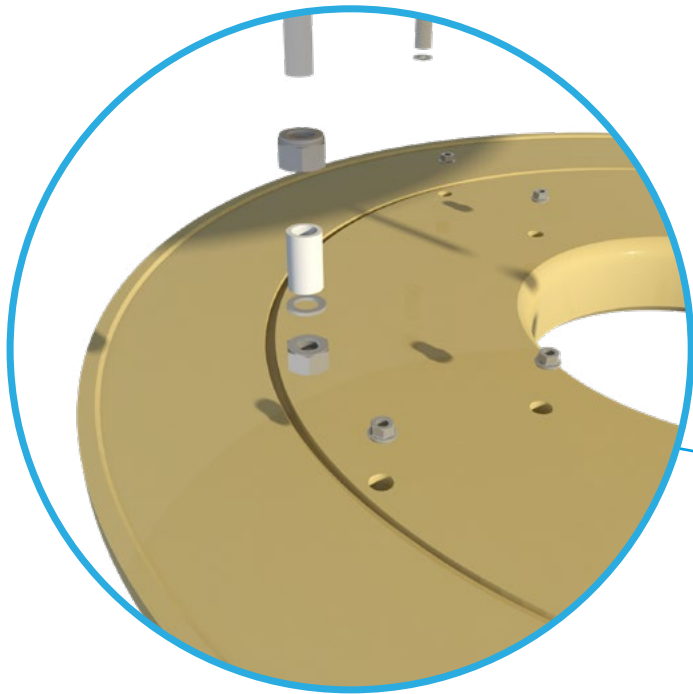
WORKING

MAINTENANCE





MIC ASSEMBLY



INFO

DATASHEET

ASSEMBLY

MOUNTING

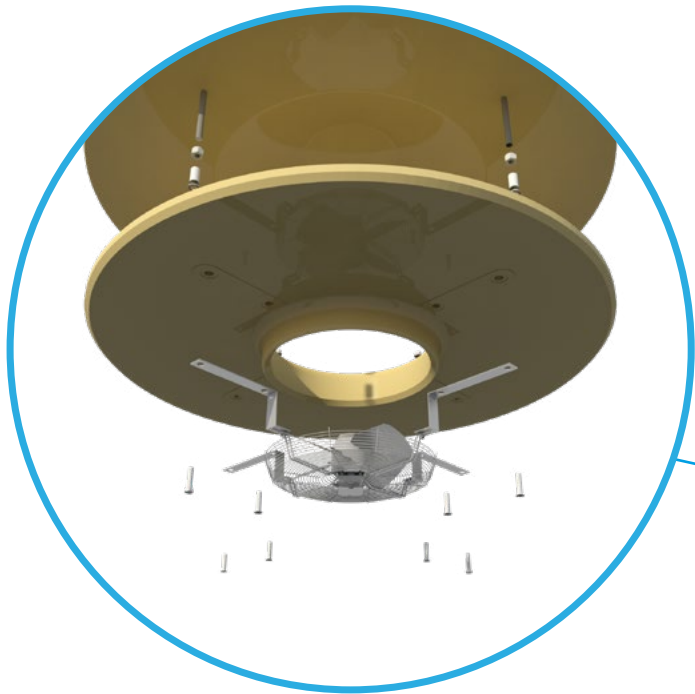
WORKING

MAINTENANCE





MIC ASSEMBLY



INFO

DATASHEET

ASSEMBLY

MOUNTING

WORKING

MAINTENANCE





MIC MOUNTING

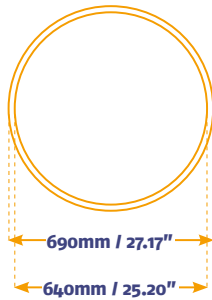


MOUNTING

All sizes are in mm and inches

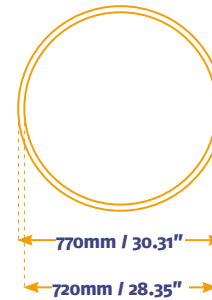
Chimney 640

Inner Diameter	640mm / 25.20"
Outer Diameter	690mm / 27.17"
Total height	2193mm / 86.34"
Widest dimension	1150mm / 45.28" Diffuser



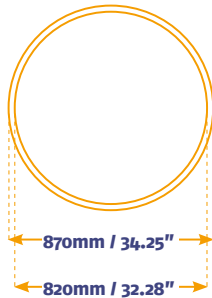
Chimney 720

Inner Diameter	720mm / 28.35"
Outer Diameter	770mm / 30.31"
Total height	2303mm / 90.67"
Widest dimension	1150mm / 45.28" Diffuser



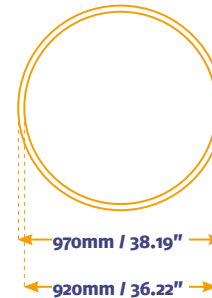
Chimney 820

Inner Diameter	820mm / 32.28"
Outer Diameter	870mm / 34.25"
Total height	2303mm / 90.67"
Widest dimension	1410mm / 55.5" Diffuser



Chimney 920

Inner Diameter	920mm / 36.22"
Outer Diameter	970mm / 38.19"
Total height	2343mm / 92.24"
Widest dimension	1410mm / 55.5" Diffuser



Total Height



INFO

DATASHEET

ASSEMBLY

MOUNTING

WORKING

MAINTENANCE



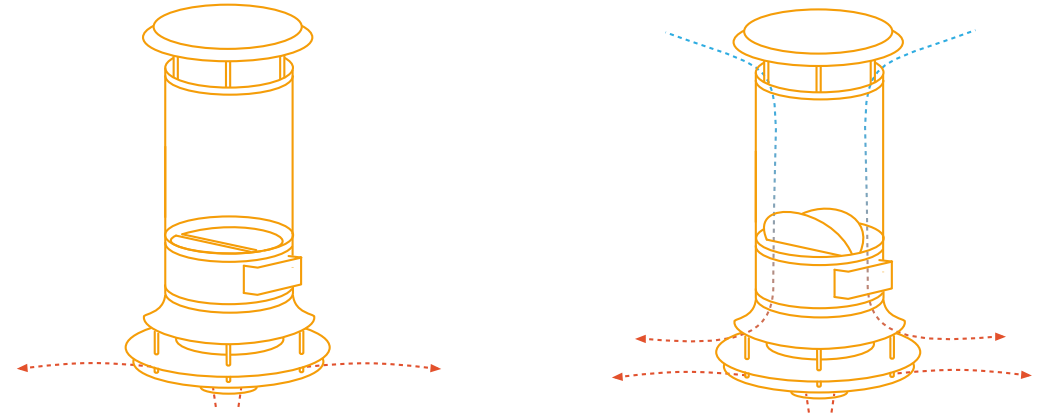


MIC WORKING



Mixing Inlet Chimney

This chimney is used to take fresh air into the house. The damper unit, together with the static pressure, controls the amount of incoming air. A mixing fan under the diffuser plate is used to ensure an optimal throw of air. In winter times the advantage of the mixing fan is that warm air is mixed with the cold incoming air. This chimney is ideal for negative ventilation concepts.

[INFO](#)[DATASHEET](#)[ASSEMBLY](#)[MOUNTING](#)[WORKING](#)[MAINTENANCE](#)



Adjustable Inlet Chimney - AIC

This chimney is equipped with a system to raise or lower the diffuser plate. The air speed and volume can be adjusted. The diffuser plate guides the air when entering the building and prevents it from dropping directly onto the animals.

* This chimney does not require a fan. All of our chimneys are made out of high quality polyurethane.

[INFO](#)[DATASHEET](#)[ASSEMBLY](#)[MOUNTING](#)[WORKING](#)[MAINTENANCE](#)

INFORMATION

Run (metric) 200mm

Run (imperial) 7,9"

Chimney 640

Force (metric) 10kg

Force (imperial) 98N

Total Weight 32,2kg / 71lbs

Total Height 2784mm / 110"

Chimney 820

Force (metric) 15kg

Force (imperial) 147N

Total Weight* 42kg / 93lbs

Total Height 2894mm / 114"

Chimney 720

Force (metric) 10kg

Force (imperial) 98N

Total Weight* 34,7kg / 77lbs

Total Height 2894mm / 114"

Chimney 920

Force (metric) 15kg

Force (imperial) 147N

Total Weight* 50,3kg / 111lbs

Total Height 2934mm / 116"

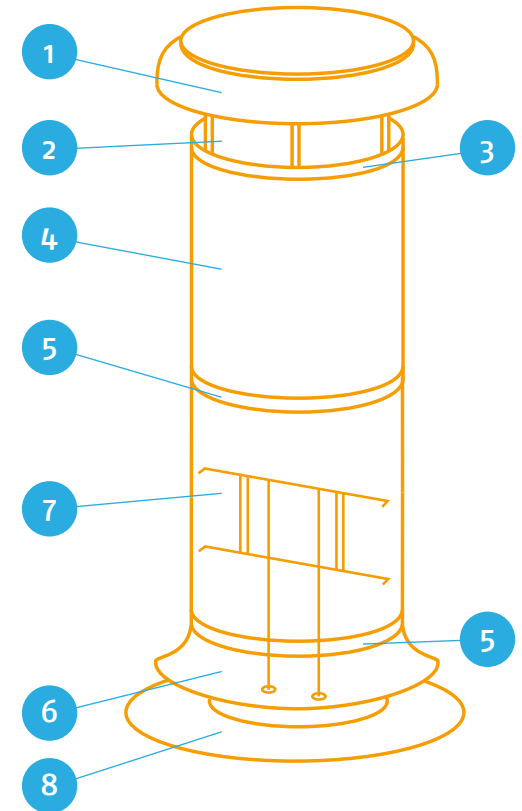
* Without fan

ITEMS IN ASSEMBLY

Article	Amount
1. Rain Cap	1
2. Wire Mesh	1
3. Connection Ring For Rain Cap	1
4. Half Shell 1,0m / 39.37"	4
5. Connection Ring 45mm / 1.77"	2
6. Air Guide	1
7. AIC Lifting Mechanism	1
8. Diffuser Plate	1

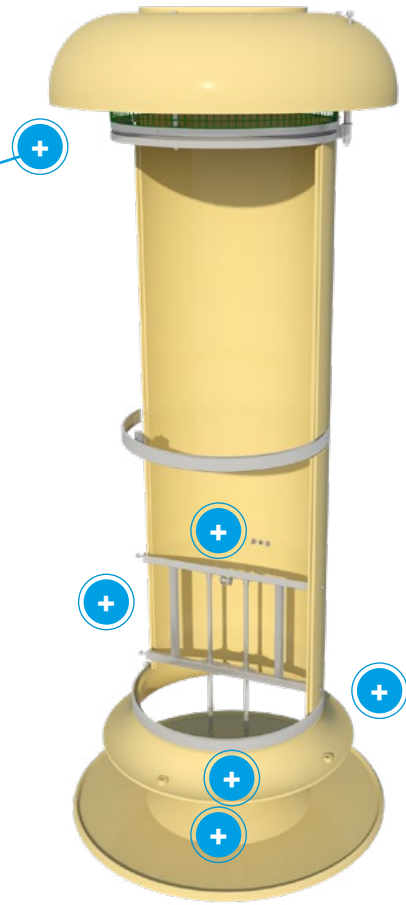
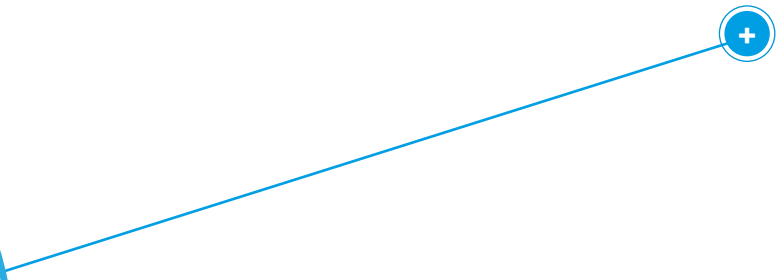
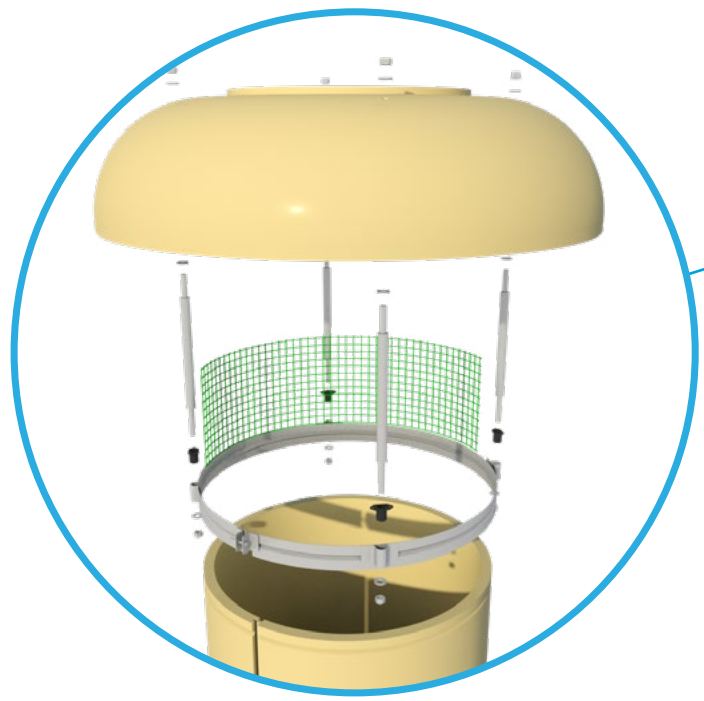


Thickness of PU half shells is 25mm / 1"


[INFO](#)
[DATASHEET](#)
[ASSEMBLY](#)
[MOUNTING](#)
[WORKING](#)
[MAINTENANCE](#)




AIC ASSEMBLY



INFO

DATASHEET

ASSEMBLY

MOUNTING

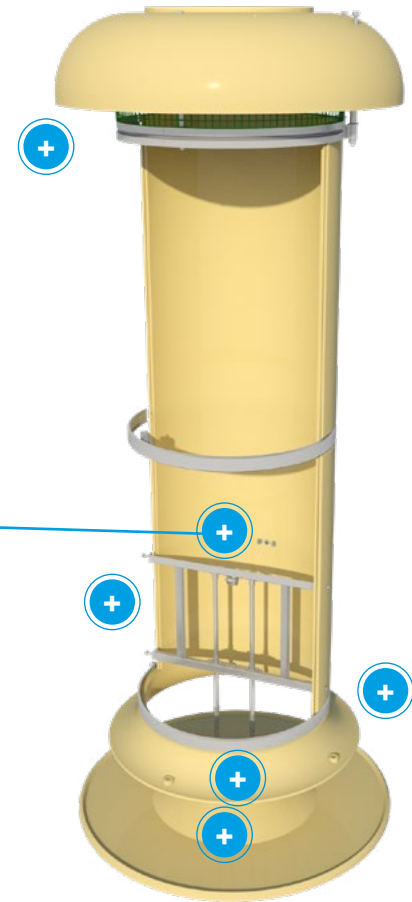
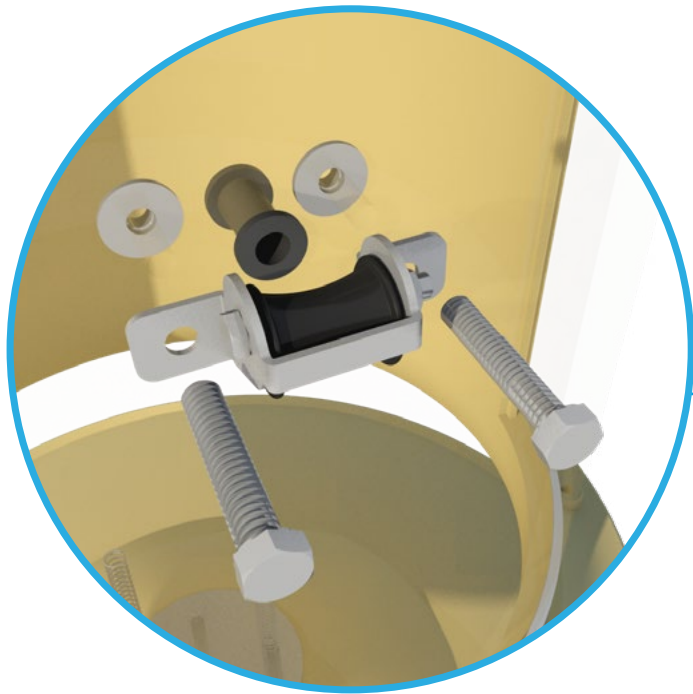
WORKING

MAINTENANCE





AIC ASSEMBLY



INFO

DATASHEET

ASSEMBLY

MOUNTING

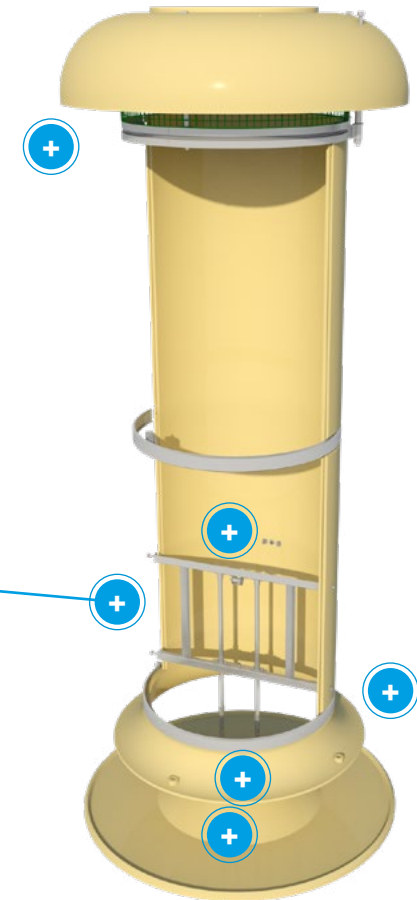
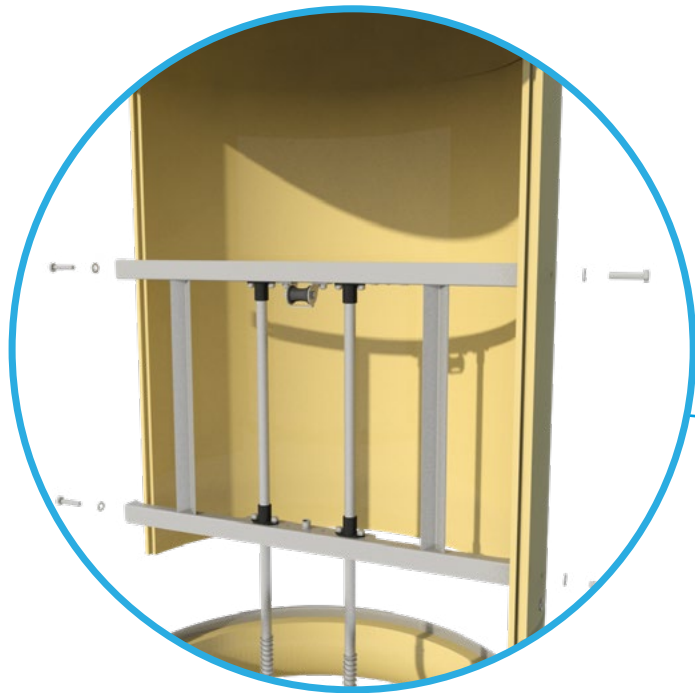
WORKING

MAINTENANCE





AIC ASSEMBLY



INFO

DATASHEET

ASSEMBLY

MOUNTING

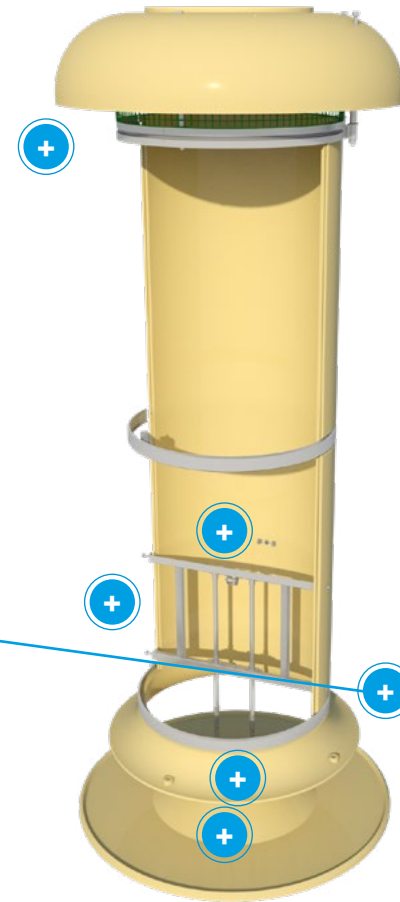
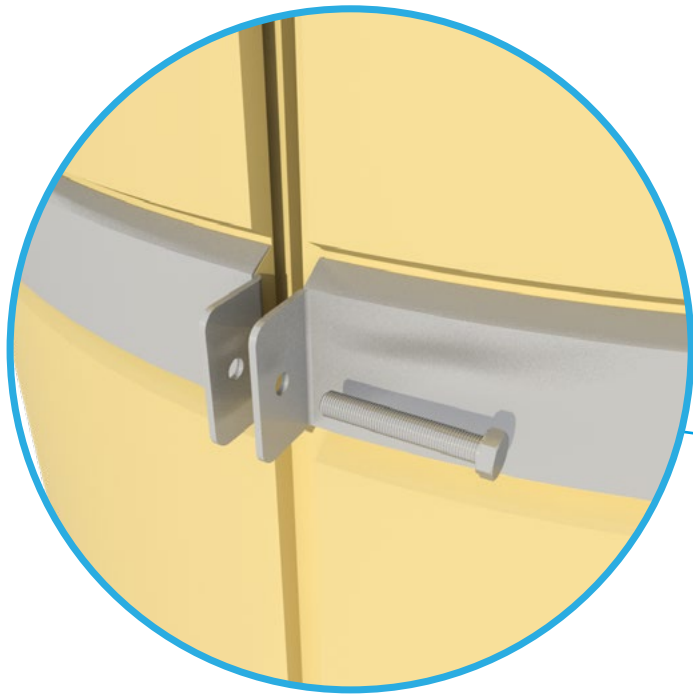
WORKING

MAINTENANCE





AIC ASSEMBLY



INFO

DATASHEET

ASSEMBLY

MOUNTING

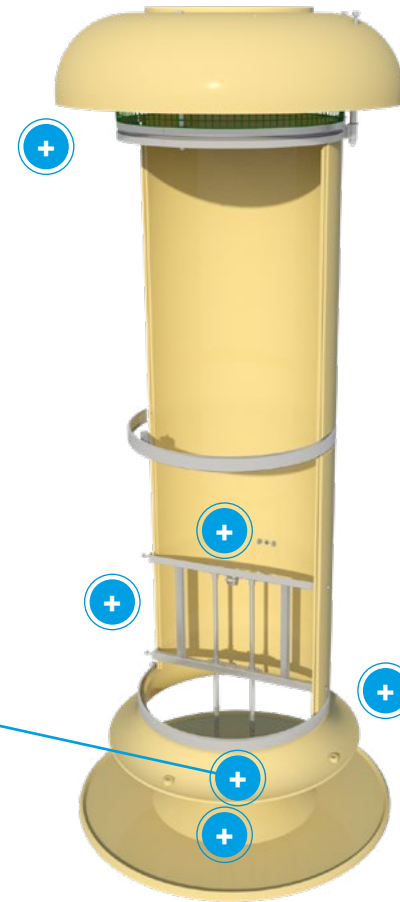
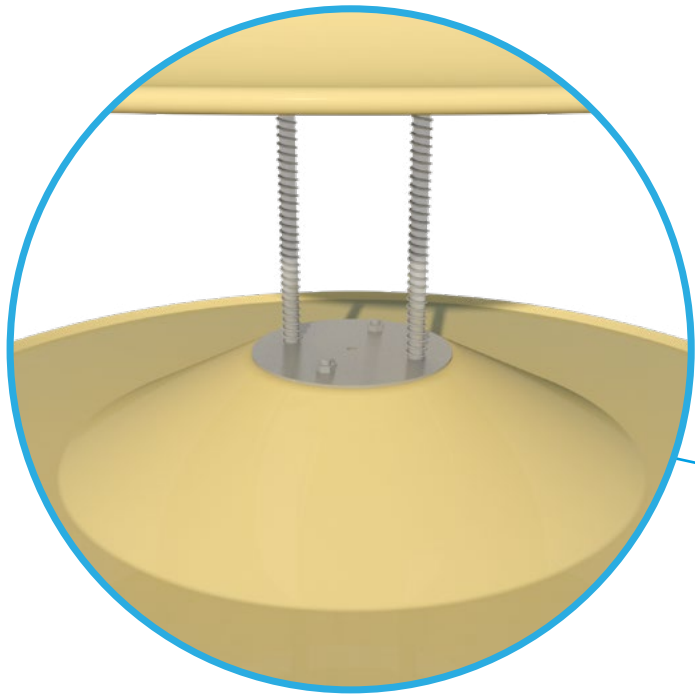
WORKING

MAINTENANCE





AIC ASSEMBLY



INFO

DATASHEET

ASSEMBLY

MOUNTING

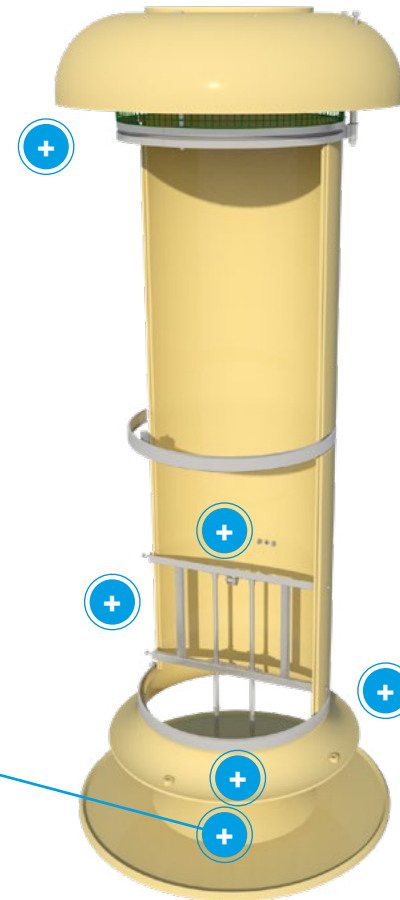
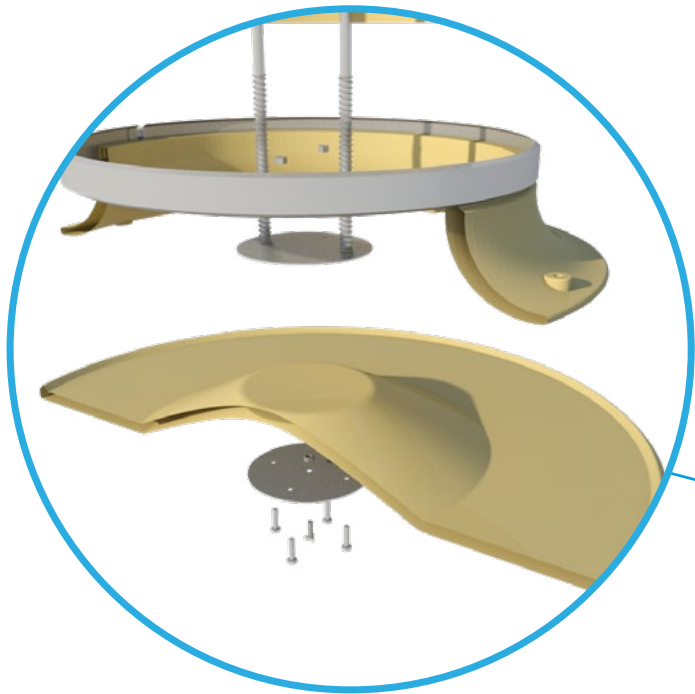
WORKING

MAINTENANCE





AIC ASSEMBLY



[INFO](#)

[DATASHEET](#)

[ASSEMBLY](#)

[MOUNTING](#)

[WORKING](#)

[MAINTENANCE](#)



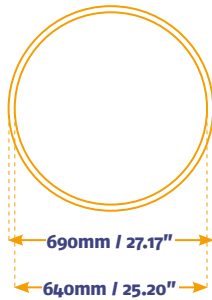


MOUNTING

All sizes are in mm and inches

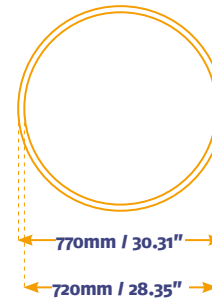
Chimney 640

Inner Diameter	640mm / 25.20"
Outer Diameter	690mm / 27.17"
Total height	2784mm / 109.6"
Widest dimension	1150mm / 45.28" Diffuser



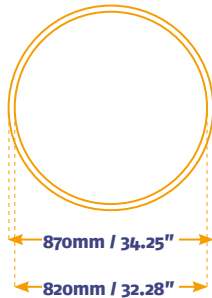
Chimney 720

Inner Diameter	720mm / 28.35"
Outer Diameter	770mm / 30.31"
Total height	2894mm / 113.94"
Widest dimension	1150mm / 45.28" Diffuser



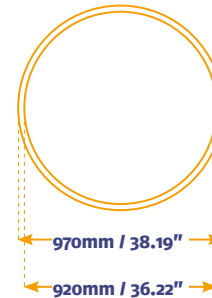
Chimney 820

Inner Diameter	820mm / 32.28"
Outer Diameter	870mm / 34.25"
Total height	2894mm / 113.94"
Widest dimension	1410mm / 55.5" Diffuser



Chimney 920

Inner Diameter	920mm / 36.22"
Outer Diameter	970mm / 38.19"
Total height	2934mm / 115.51"
Widest dimension	1410mm / 55.5" Diffuser



Total Height



Widest dimension

INFO

DATASHEET

ASSEMBLY

MOUNTING

WORKING

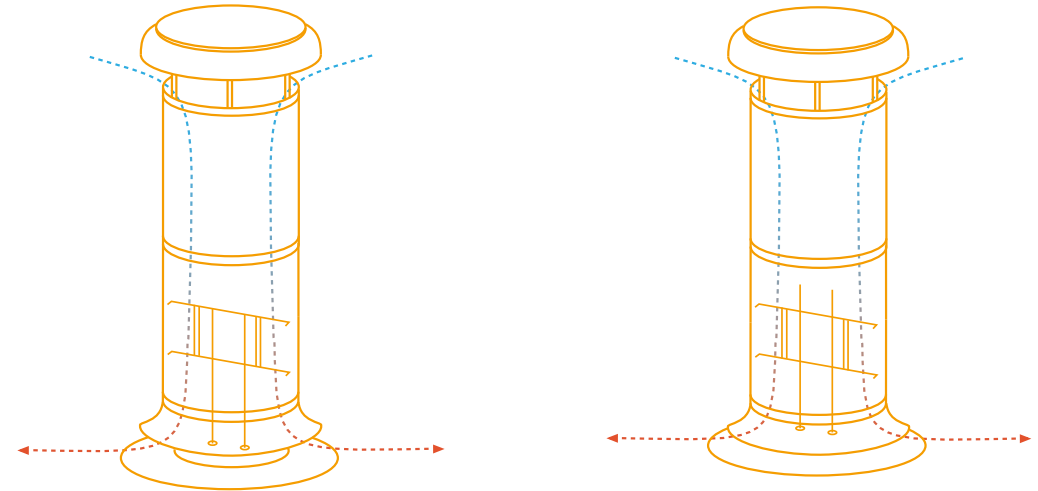
MAINTENANCE





Adjustable Inlet Chimney

This chimney is used to take fresh air into the house. The adjustable diffuser plate can be lowered or raised to determine the throw of air. This chimney is ideal for negative pressure ventilation concepts. This chimney doesn't require a fan.

[INFO](#)[DATASHEET](#)[ASSEMBLY](#)[MOUNTING](#)[WORKING](#)[MAINTENANCE](#)



Conic Butterfly Chimney – CBC

This chimney is equipped with a PE cone on top and an air guide in the bottom to optimise capacity. A butterfly valve is situated on the top of the chimney. This valve automatically opens when the fan pushes air through the chimney and it closes by gravity when the fans stops. The butterfly valve is mounted on top of the chimney so when the flap closes rainwater doesn't enter the chimney.

* In this chimney an on-off fan is required. The chimney is made out of high quality polyurethane.

[INFO](#)[DATASHEET](#)[ASSEMBLY](#)[MOUNTING](#)[WORKING](#)[MAINTENANCE](#)



CBC DATASHEET



INFORMATION

Chimney 640

Total Weight* 20kg / 44lbs

Total Height 1840mm / 72.44"

Chimney 820

Total Weight* 25kg / 55lbs

Total Height 1840mm / 72.44"

Chimney 720

Total Weight* 22,7kg / 50lbs

Total Height 1840mm / 72.44"

Chimney 920

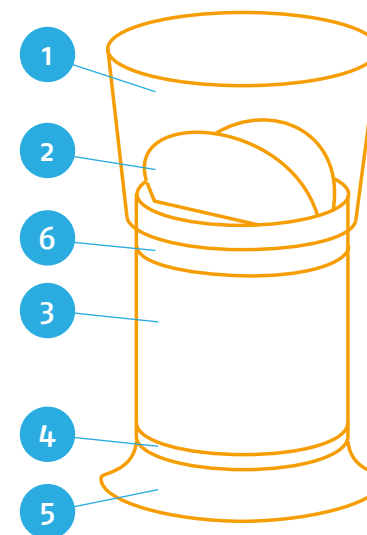
Total Weight* 34,1kg / 76lbs

Total Height 1840mm / 72.44"

* Without fan

ITEMS IN ASSEMBLY

Article	Amount
1. PE Rain Cone	1
2. Butterfly Valve	1
3. Half Shell 1.0m	2
4. Connection Ring 45mm / 1.77"	1
5. Air Guide	1
6. Tightening ring 25mm	1

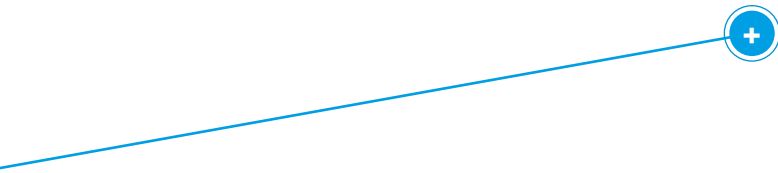
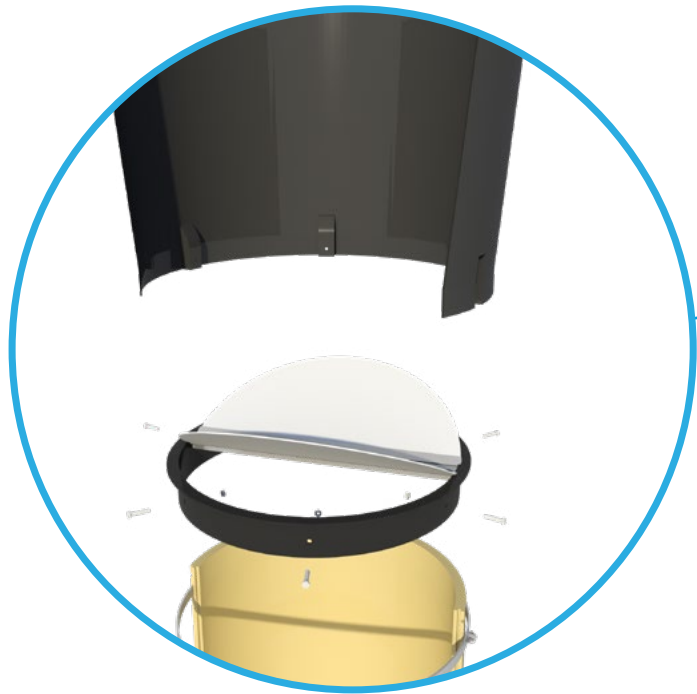


Thickness of PU half shells is 25mm / 1"

[INFO](#)
[DATASHEET](#)
[ASSEMBLY](#)
[MOUNTING](#)
[WORKING](#)
[MAINTENANCE](#)




CBC ASSEMBLY



[INFO](#)

[DATASHEET](#)

[ASSEMBLY](#)

[MOUNTING](#)

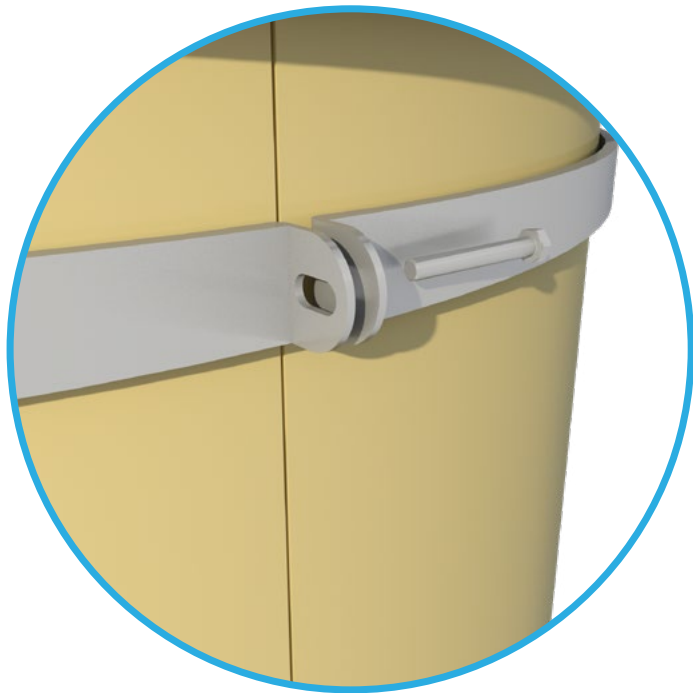
[WORKING](#)

[MAINTENANCE](#)





CBC ASSEMBLY



INFO

DATASHEET

ASSEMBLY

MOUNTING

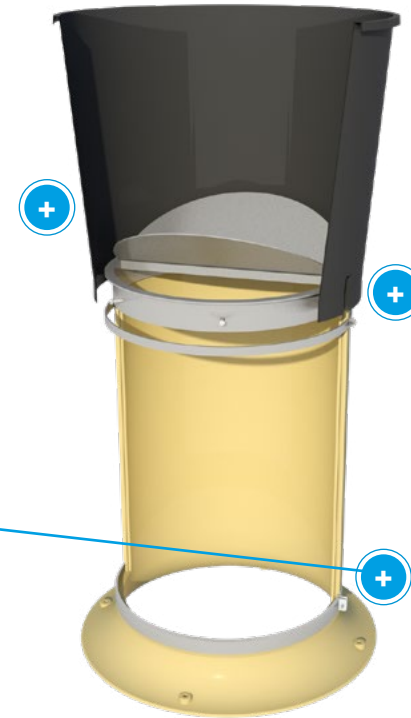
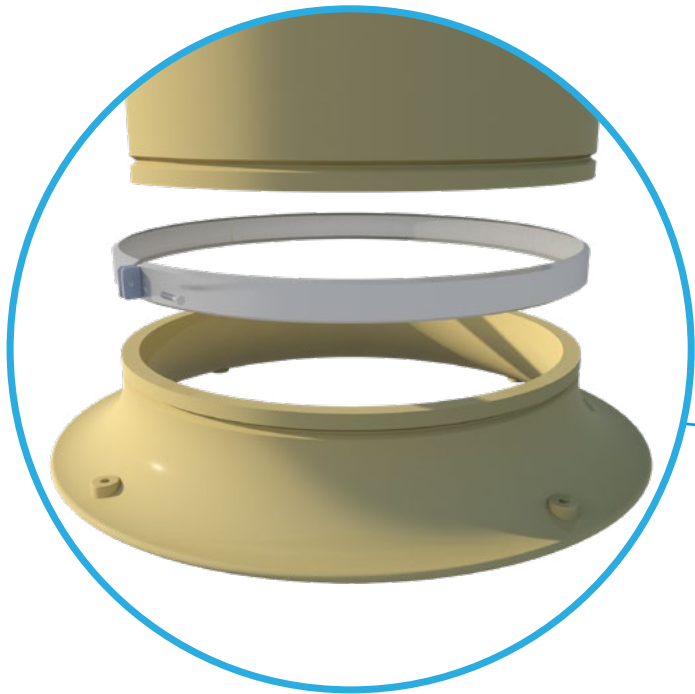
WORKING

MAINTENANCE





CBC ASSEMBLY



[INFO](#)

[DATASHEET](#)

[ASSEMBLY](#)

[MOUNTING](#)

[WORKING](#)

[MAINTENANCE](#)





CBC MOUNTING

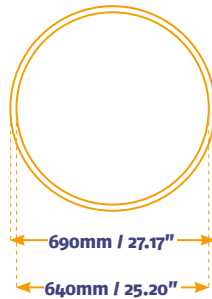


MOUNTING

All sizes are in mm and inches

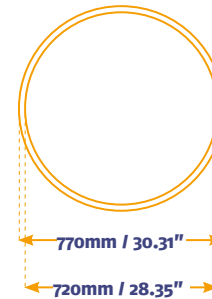
Chimney 640

Inner Diameter	640mm / 25.20"
Outer Diameter	690mm / 27.17"
Total height	1840mm / 72.44"
Widest dimension	910 Air Guide



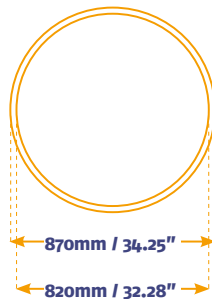
Chimney 720

Inner Diameter	720mm / 28.35"
Outer Diameter	770mm / 30.31"
Total height	1840mm / 72.44"
Widest dimension	990 Air Guide



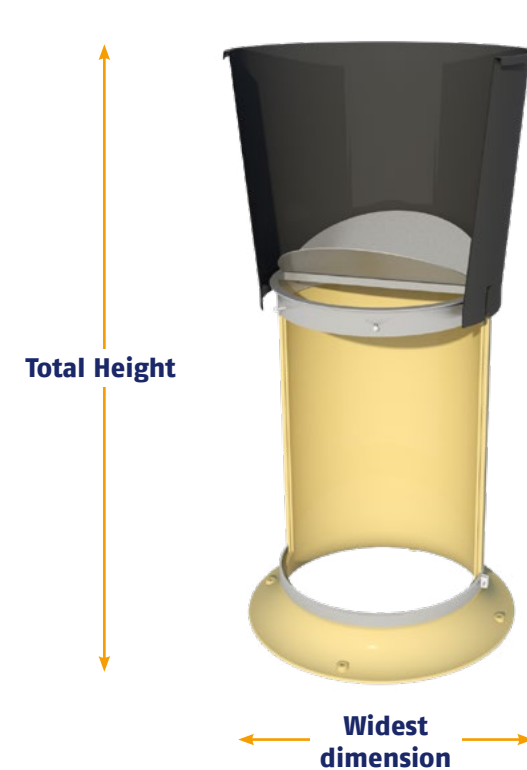
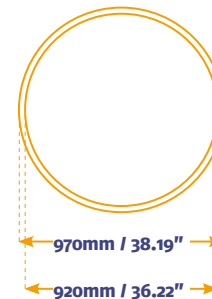
Chimney 820

Inner Diameter	820mm / 32.28"
Outer Diameter	870mm / 34.25"
Total height	1840mm / 72.44"
Widest dimension	1090 Air Guide



Chimney 920

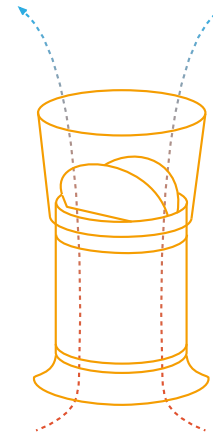
Inner Diameter	920mm / 36.22"
Outer Diameter	970mm / 38.19"
Total height	1840mm / 72.44"
Widest dimension	1190 Air Guide


[INFO](#)
[DATASHEET](#)
[ASSEMBLY](#)
[MOUNTING](#)
[WORKING](#)
[MAINTENANCE](#)




Cone Butterfly Chimney

This chimney is used to take depleted air of the house. It comes equipped with a rain cone to keep our snow, rain and hail. The butterfly unit on top of the chimney opens when outgoing air pushes against it and shuts when the fan is turned off. Secure chains/cables and screw hooks for the fan is not included, this needs to be supplied locally.

[INFO](#)[DATASHEET](#)[ASSEMBLY](#)[MOUNTING](#)[WORKING](#)[MAINTENANCE](#)



Conic Damper Chimney – CDC

This chimney is equipped with a PE cone on top and an air guide in the bottom to optimise capacity.
A damper unit is used to open and close the chimney.

To complete the chimney you have to add 0,5 meter /19.69" or 1 meter / 39.37" tube section to mount the fan.

* In this chimney a speed-controlled fan is required. All of our chimneys are made out of high quality polyurethane.

[INFO](#)[DATASHEET](#)[ASSEMBLY](#)[MOUNTING](#)[WORKING](#)[MAINTENANCE](#)



CDC DATASHEET



INFORMATION

Chimney 640

Total Weight* 24,4kg / 54lbs

Total Height 2160mm / 85.04"

Chimney 720

Total Weight* 27,3kg / 61lbs

Total Height 2160mm / 85.04"

Chimney 820

Total Weight* 30kg / 67lbs

Total Height 2160mm / 85.04"

Chimney 920

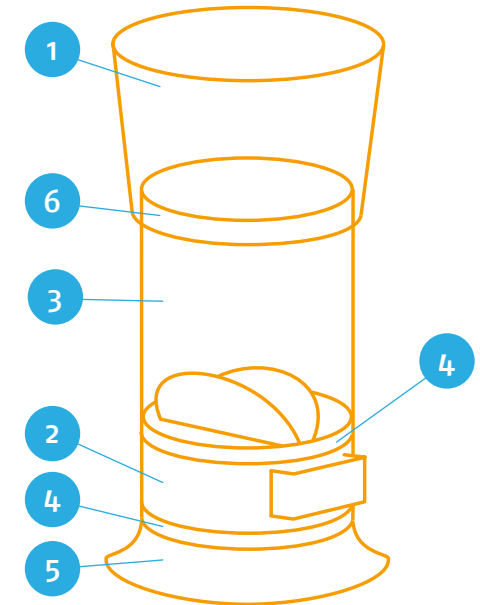
Total Weight* 39,6kg / 88lbs

Total Height 2160mm / 85.04"

* Without fan

ITEMS IN ASSEMBLY

Article	Amount
1. PE Rain Cone	1
2. Damper Unit	1
3. Half Shell 1m / 39.37"	2
4. Connection Ring 45mm / 1.77"	2
5. Air Guide	1
6 .Tightening Ring 25mm / 1"	1

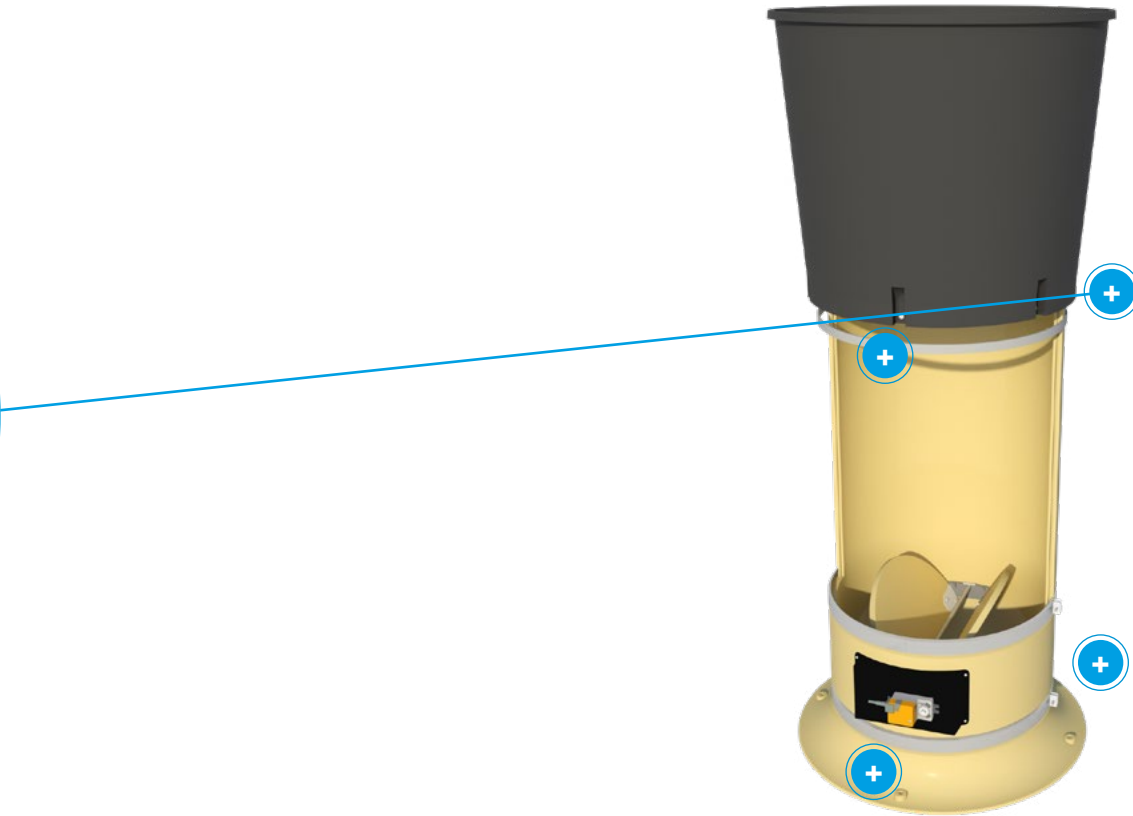
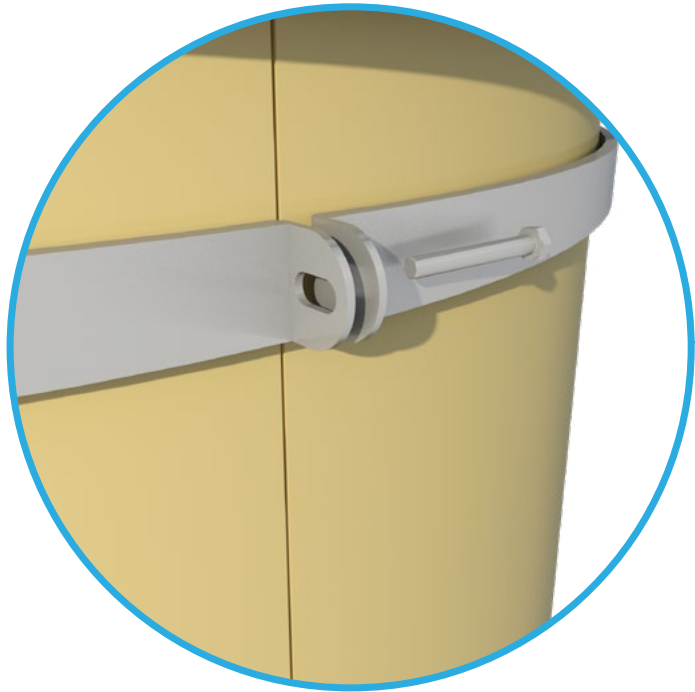


Thickness of PU half shells is 25mm / 1"

[INFO](#)
[DATASHEET](#)
[ASSEMBLY](#)
[MOUNTING](#)
[WORKING](#)
[MAINTENANCE](#)




CDC ASSEMBLY



INFO

DATASHEET

ASSEMBLY

MOUNTING

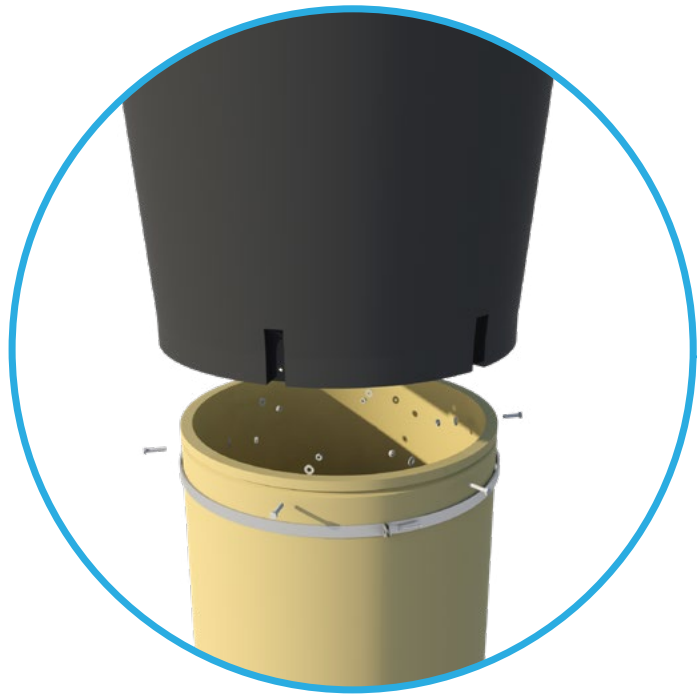
WORKING

MAINTENANCE





CDC ASSEMBLY



[INFO](#)

[DATASHEET](#)

[ASSEMBLY](#)

[MOUNTING](#)

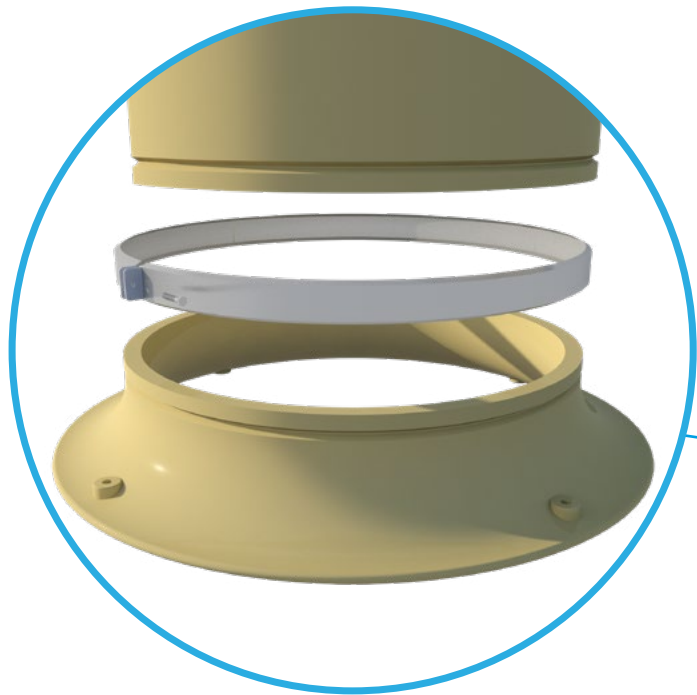
[WORKING](#)

[MAINTENANCE](#)





CDC ASSEMBLY



[INFO](#)

[DATASHEET](#)

[ASSEMBLY](#)

[MOUNTING](#)

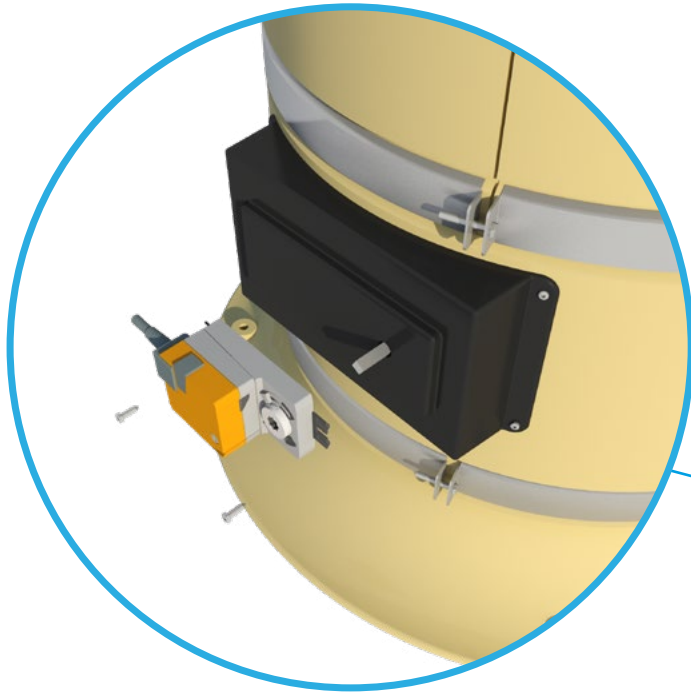
[WORKING](#)

[MAINTENANCE](#)





CDC ASSEMBLY



[INFO](#)

[DATASHEET](#)

[ASSEMBLY](#)

[MOUNTING](#)

[WORKING](#)

[MAINTENANCE](#)





CDC MOUNTING

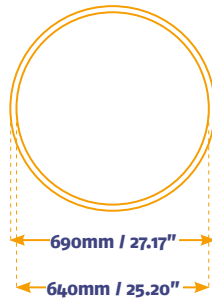


MOUNTING

All sizes are in mm and inches

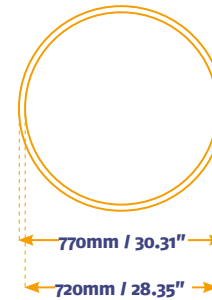
Chimney 640

Inner Diameter	640mm / 25.20"
Outer Diameter	690mm / 27.17"
Total height	2160mm / 85.04"
Widest dimension	910 Air Guide



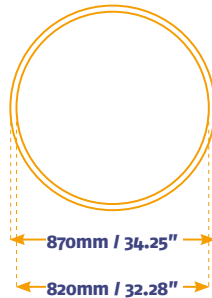
Chimney 720

Inner Diameter	720mm / 28.35"
Outer Diameter	770mm / 30.31"
Total height	2160mm / 85.04"
Widest dimension	990 Air Guide



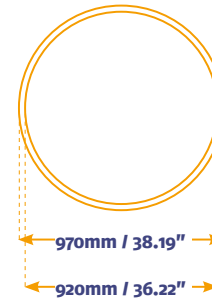
Chimney 820

Inner Diameter	820mm / 32.28"
Outer Diameter	870mm / 34.25"
Total height	2160mm / 85.04"
Widest dimension	1090 Air Guide



Chimney 920

Inner Diameter	920mm / 36.22"
Outer Diameter	970mm / 38.19"
Total height	2160mm / 85.04"
Widest dimension	1190 Air Guide



Total Height



Widest dimension

INFO

DATASHEET

ASSEMBLY

MOUNTING

WORKING

MAINTENANCE



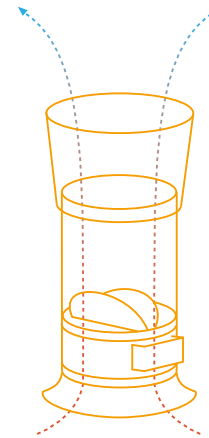


CDC WORKING



Cone Damper Chimney

This chimney is used to take depleted air of the house. It comes equipped with a rain cone to keep our snow, rain and hail. The damper unit is used to regulate the amount of outgoing air in combination with the fan. Secure chains/cables and screw hooks for the fan is not included, this needs to be supplied locally.

[INFO](#)[DATASHEET](#)[ASSEMBLY](#)[MOUNTING](#)[WORKING](#)[MAINTENANCE](#)

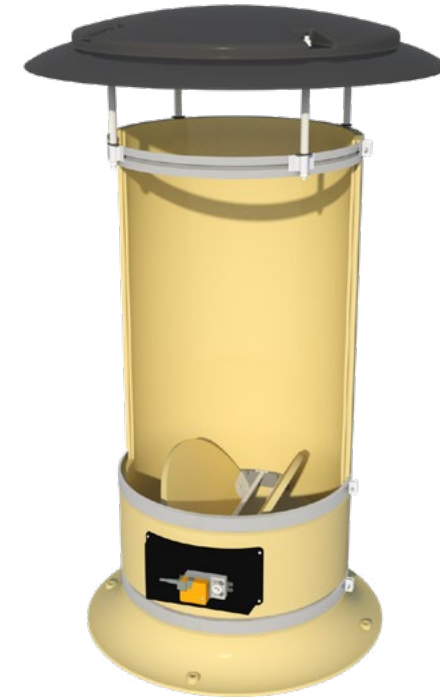


Rain cap Damper Chimney – RDC

This chimney is equipped with an air guide in the bottom to optimise capacity. The rain cap on top prevents rain and snow from entering the chimney. A damper unit is used to control the volume of air

To complete the chimney you have to add 0,5 meter /19.69" or 1 meter / 39.37" tube section to mount the fan.

* In this chimney a speed-controlled fan is required. All of our chimneys are made out of high quality polyurethane.

[INFO](#)[DATASHEET](#)[ASSEMBLY](#)[MOUNTING](#)[WORKING](#)[MAINTENANCE](#)



RDC DATASHEET



INFORMATION

Chimney 640

Total Weight* 21,1kg / 47lbs

Total Height 1460mm / 57.48"

Chimney 820

Total Weight* 28,7kg / 64lbs

Total Height 1570mm / 61.81"

Chimney 720

Total Weight* 23,2kg / 52lbs

Total Height 1570mm / 61.81"

Chimney 920

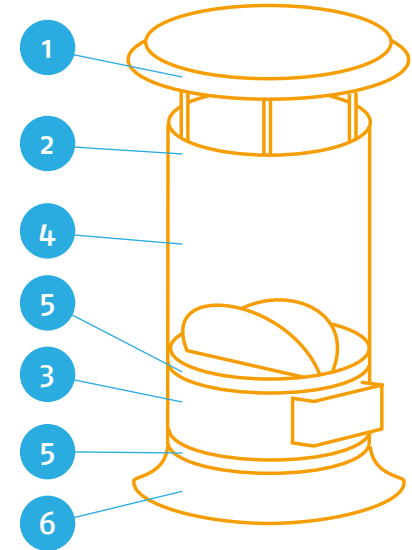
Total Weight* 32,5kg / 72lbs

Total Height 1610mm / 63.39"

* Without fan

ITEMS IN ASSEMBLY

Article	Amount
1. Rain Cap	1
2. Connection Ring For Rain Cap	1
3. Damper Unit	1
4. Half Shell 1m / 39.37"	2
5. Connection Ring 45mm / 1.77"	3
6. Air Guide	1

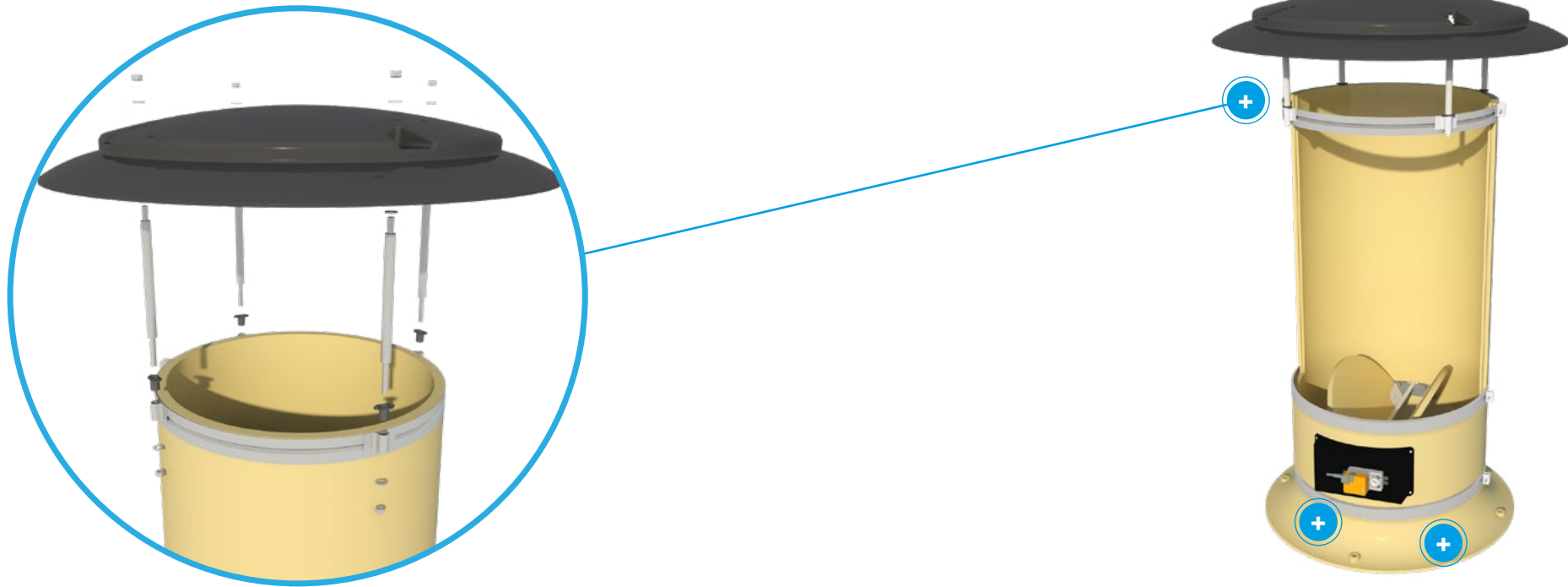


Thickness of PU half shells is 25mm / 1"

[INFO](#)
[DATASHEET](#)
[ASSEMBLY](#)
[MOUNTING](#)
[WORKING](#)
[MAINTENANCE](#)




RDC ASSEMBLY



INFO

DATASHEET

ASSEMBLY

MOUNTING

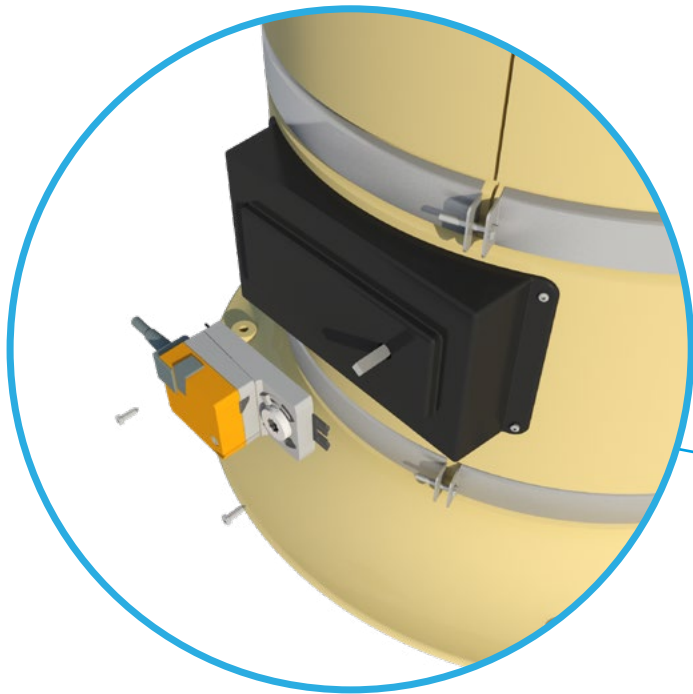
WORKING

MAINTENANCE





RDC ASSEMBLY



[INFO](#)

[DATASHEET](#)

[ASSEMBLY](#)

[MOUNTING](#)

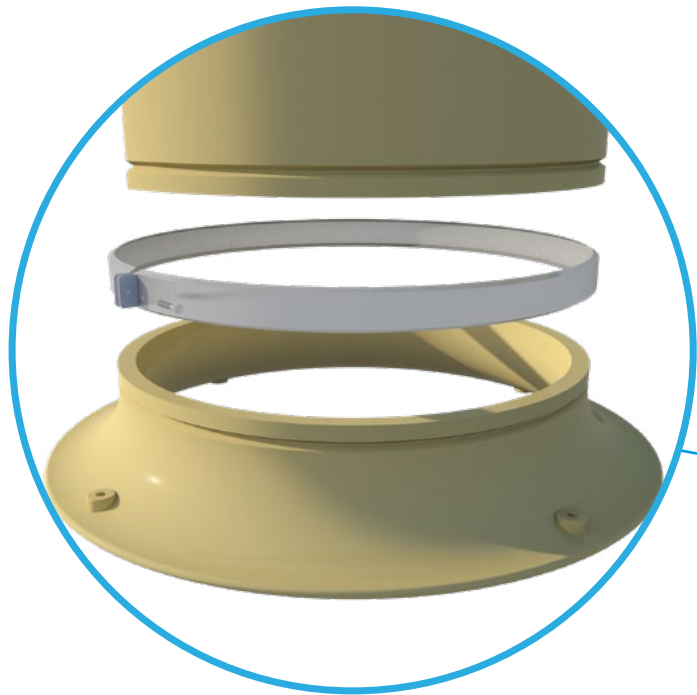
[WORKING](#)

[MAINTENANCE](#)





RDC ASSEMBLY



INFO

DATASHEET

ASSEMBLY

MOUNTING

WORKING

MAINTENANCE





RDC MOUNTING

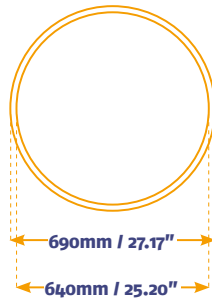


MOUNTING

All sizes are in mm and inches

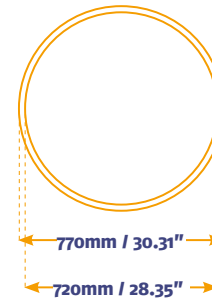
Chimney 640

Inner Diameter	640mm / 25.20"
Outer Diameter	690mm / 27.17"
Total height	1460mm / 57.48"
Widest dimension	1108 PE Raincap



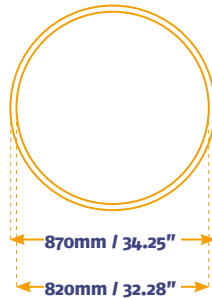
Chimney 720

Inner Diameter	720mm / 28.35"
Outer Diameter	770mm / 30.31"
Total height	1570mm / 61.81"
Widest dimension	1108 PE Raincap



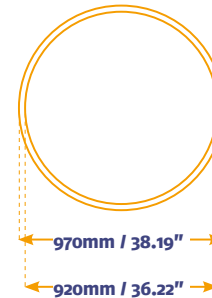
Chimney 820

Inner Diameter	820mm / 32.28"
Outer Diameter	870mm / 34.25"
Total height	1570mm / 61.81"
Widest dimension	1386 PE Raincap

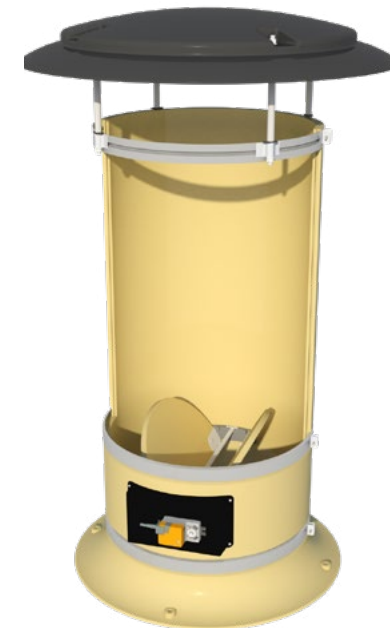


Chimney 920

Inner Diameter	920mm / 36.22"
Outer Diameter	970mm / 38.19"
Total height	1610mm / 63.39"
Widest dimension	1386 PE Raincap



Total Height



Widest dimension

INFO

DATASHEET

ASSEMBLY

MOUNTING

WORKING

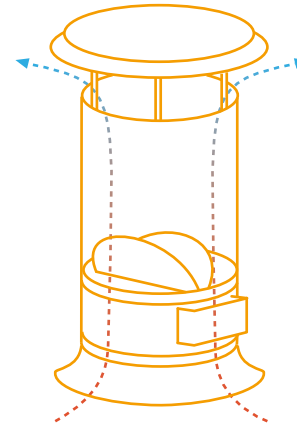
MAINTENANCE





Rain Cap Damper Chimney

This chimney is used to take depleted air of the house. It comes equipped with a rain cap to keep out snow, rain and hail. The damper unit is used to regulate the amount of outgoing air in combination with the fan. Secure chains/cables and screw hooks for the fan is not included, this needs to be supplied locally.

[INFO](#)[DATASHEET](#)[ASSEMBLY](#)[MOUNTING](#)[WORKING](#)[MAINTENANCE](#)

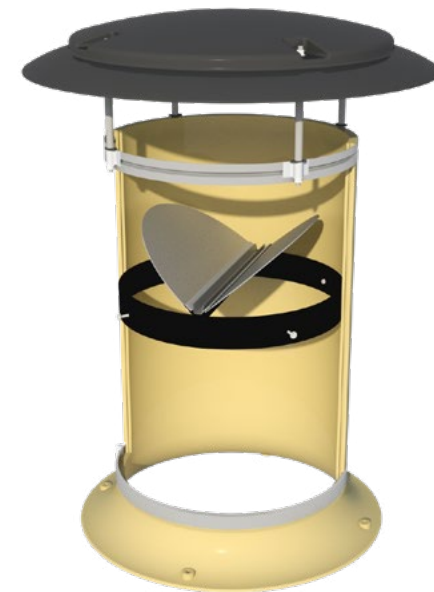


Rain cap Butterfly Chimney – RBC

This chimney is equipped with an air guide in the bottom to optimise capacity. The rain cap on top prevents rain and snow from entering the chimney. A butterfly valve is used to open and close the chimney. This valve is mounted inside the chimney. It opens when the fan pushes air through the chimney and closes by gravity when the fan stops.

To complete the chimney you have to add 0,5 meter /19.69" or 1 meter / 39.37" tube section to mount the fan.

* In this chimney an on-off fan is required. The chimney is made out of high quality polyurethane.

[INFO](#)[DATASHEET](#)[ASSEMBLY](#)[MOUNTING](#)[WORKING](#)[MAINTENANCE](#)



RBC DATASHEET



INFORMATION

Chimney 640

Total Weight* 25,5kg / 57lbs

Total Height 1860mm / 73.23"

Chimney 720

Total Weight* 27,9kg / 62lbs

Total Height 1916mm / 75.43"

Chimney 820

Total Weight* 33,6kg / 74lbs

Total Height 1916mm / 75.43"

Chimney 920

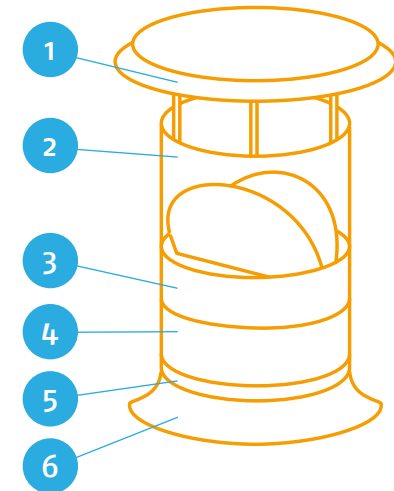
Total Weight* 38kg / 84lbs

Total Height 1956mm / 77.01"

* Without fan

ITEMS IN ASSEMBLY

Article	Amount
1. Rain Cap	1
2. Connection Ring For Rain Cap	1
3. Butterfly Valve	1
4. Half Shell 1m / 39.37"	2
5. Connection Ring 45mm / 1.77"	1
6. Air Guide	1

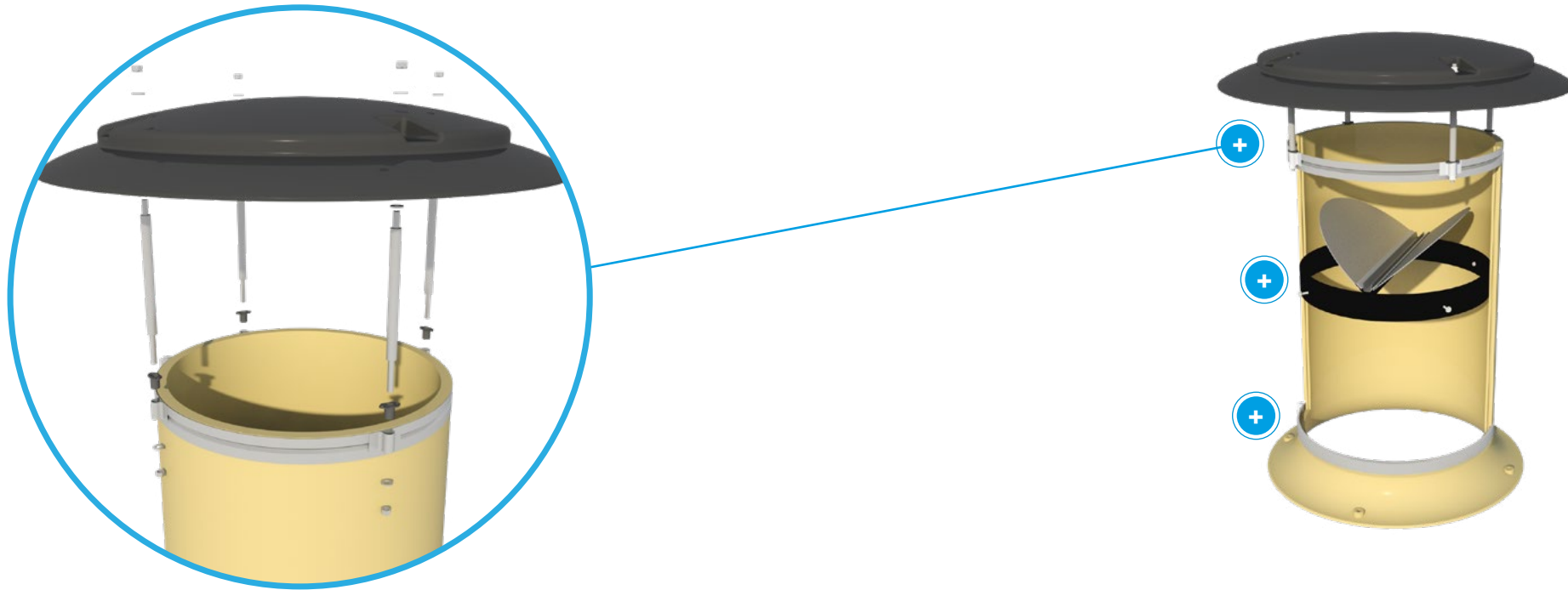


Thickness of PU half shells is 25mm / 1"

[INFO](#)
[DATASHEET](#)
[ASSEMBLY](#)
[MOUNTING](#)
[WORKING](#)
[MAINTENANCE](#)




RBC ASSEMBLY



INFO

DATASHEET

ASSEMBLY

MOUNTING

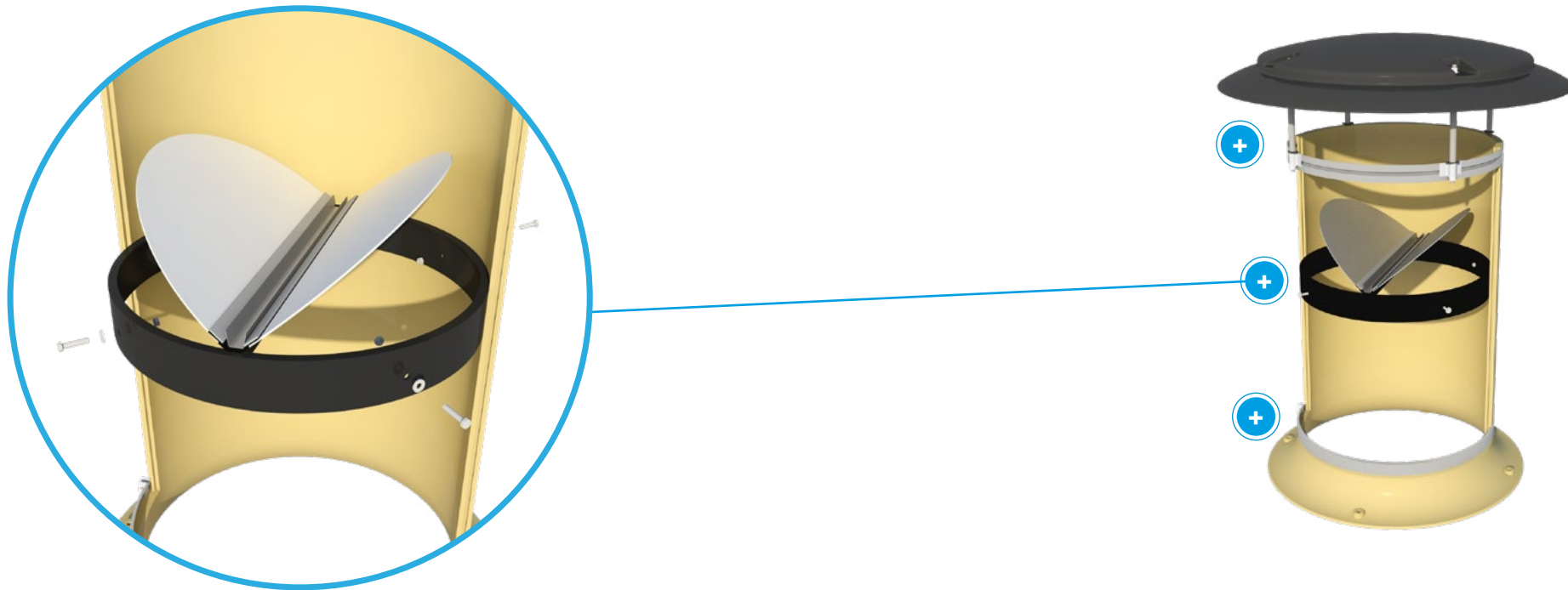
WORKING

MAINTENANCE





RBC ASSEMBLY



INFO

DATASHEET

ASSEMBLY

MOUNTING

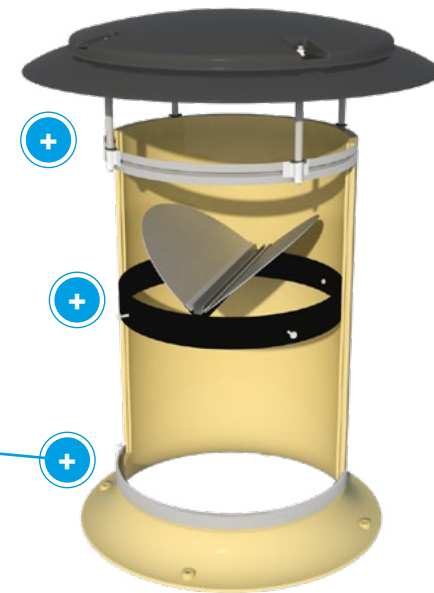
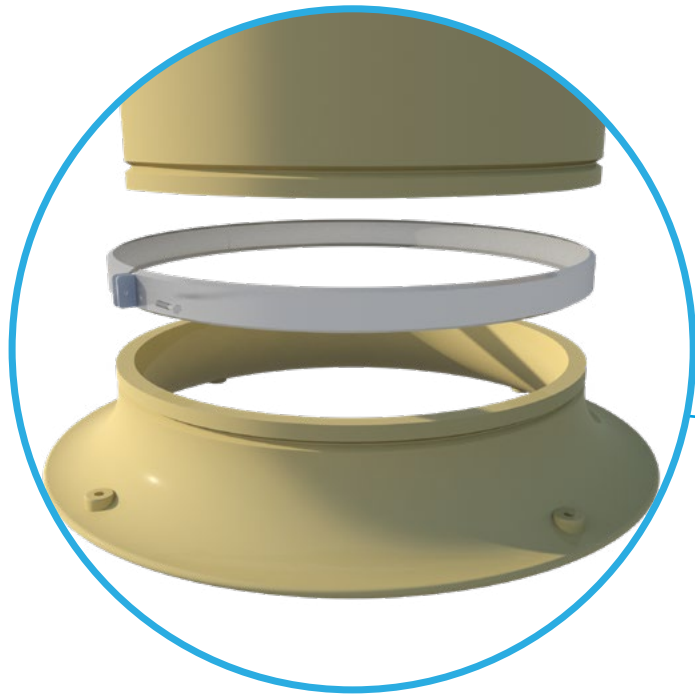
WORKING

MAINTENANCE





RBC ASSEMBLY



[INFO](#)

[DATASHEET](#)

[ASSEMBLY](#)

[MOUNTING](#)

[WORKING](#)

[MAINTENANCE](#)





RBC MOUNTING

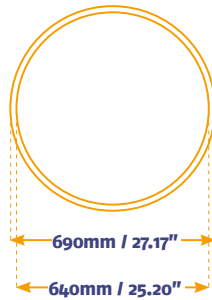


MOUNTING

All sizes are in mm and inches

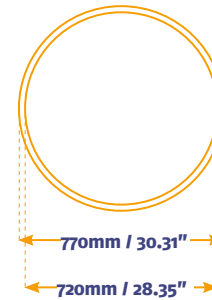
Chimney 640

Inner Diameter	640mm / 25.20"
Outer Diameter	690mm / 27.17"
Total height	1860mm / 73.23"
Widest dimension	1100 PU Raincap



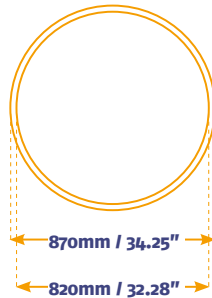
Chimney 720

Inner Diameter	720mm / 28.35"
Outer Diameter	770mm / 30.31"
Total height	1916mm / 75.43"
Widest dimension	1200 PU Raincap



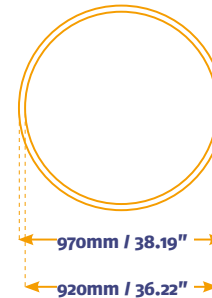
Chimney 820

Inner Diameter	820mm / 32.28"
Outer Diameter	870mm / 34.25"
Total height	1916mm / 75.43"
Widest dimension	1200 PU Raincap

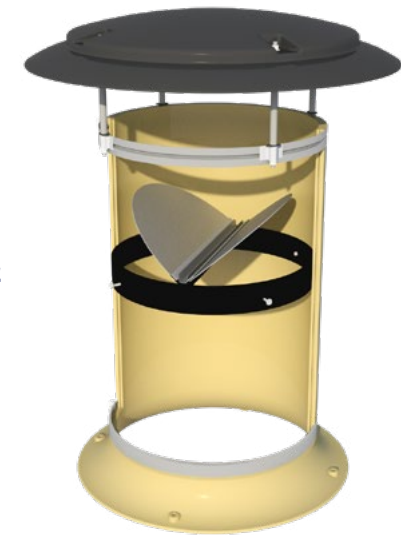


Chimney 920

Inner Diameter	920mm / 36.22"
Outer Diameter	970mm / 38.19"
Total height	1956mm / 77.01"
Widest dimension	1386 PE Raincap



Total Height



Widest dimension

INFO

DATASHEET

ASSEMBLY

MOUNTING

WORKING

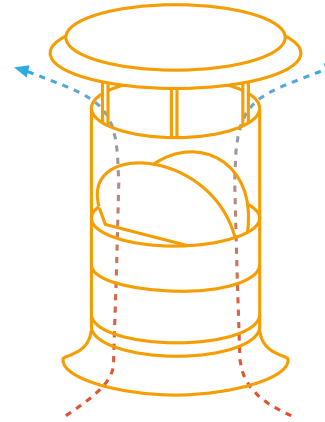
MAINTENANCE





Rain Cap Butterfly Chimney

This chimney is used to take depleted air of the house. It comes equipped with a rain cap to keep out snow, rain and hail. The butterfly unit within the chimney opens when outgoing air pushes against it and shuts when the fan is turned off. Secure chains/cables and screw hooks for the fan is not included, this needs to be supplied locally.

[INFO](#)[DATASHEET](#)[ASSEMBLY](#)[MOUNTING](#)[WORKING](#)[MAINTENANCE](#)



Roof solutions

Roof Seals

For closing the gaps around chimneys and the roof construction we offer flexible roof seals made out of PVC. These seals can be glued to the roof panels around the chimneys using silicone sealant. For details on the sizes of our seals please visit the datasheet.

Roof Plates

As opposed to flexible seals we can offer rigid roof plates. These plates are also glued in place on the roof panels. These roof plates can be made to match many different panel types. The following aspects are important to determine the type of roof plate that is needed.

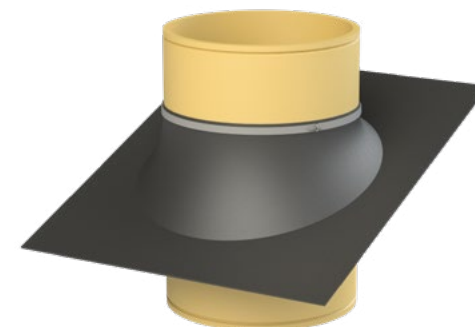
- Position on the roof, on the sides or at the central ridgeline.
- Angle of the roof slope.
- The profile of the roof plate.
- The width and length.
- The use or absence of a flange.



* For more information on assembly and the use of flanges on roof plates please visit the assembly page.

Contra Rings

For closing the space between the chimney and the roof indoors we offer contra rings. These PVC rings are placed around the chimney and bolted and glued to the roof from the inside using silicon sealant.


[INFO](#)
[DATASHEET](#)
[ASSEMBLY](#)
[MOUNTING](#)
[WORKING](#)
[MAINTENANCE](#)




Roof solutions

ROOF SEALS

For closing the gaps around chimneys and the roof construction we offer flexible roof seals made out of PVC.

4008009	Roof Seal PVC \varnothing 600mm / 23.6" (1250mm / 49.21" x 2000mm / 78.74")	for chimney 640mm / 25.20"
4008011	Roof Seal PVC \varnothing 700mm / 27.56" (1500mm / 59.06" x 2000mm / 78.74")	for chimney 720mm / 28.35"
4008013	Roof Seal PVC \varnothing 800mm / 31.50" (2000mm / 78.74" x 2500mm / 98.43")	for chimney 820mm / 32.28"
4008015	Roof Seal PVC \varnothing 900mm / 35.43" (2000mm / 78.74" x 2000mm / 78.74")	for chimney 920mm / 36.22"

Contra Rings

For closing the space between the chimney and the roof indoors we offer contra rings.

ADHESIVES

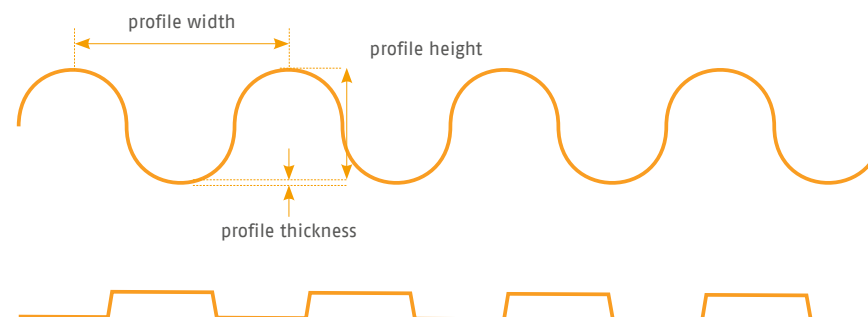
Used to connect the roofs seals, plates and centra rings to the roof construction. This seal as wet bitumen useable.

Roof Plates

For roof plates please get in touch with our sales team. Try providing the following details for an exact price offer:

- Position on the roof, on the sides or at the central ridgeline.
- Angle of the roof slope.
- The profile of the roof plate.
- The width and length.
- The use or absence of a flange.

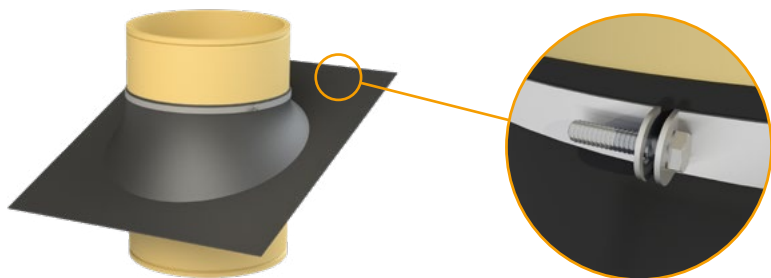
* For more information on assembly and the use of flanges on roof plates please visit the assembly page.


[INFO](#)
[DATASHEET](#)
[ASSEMBLY](#)
[MOUNTING](#)
[WORKING](#)
[MAINTENANCE](#)



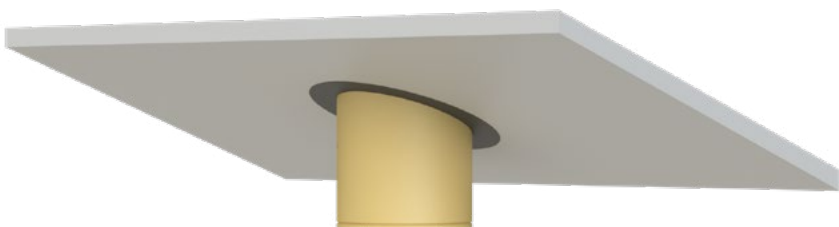

Roof solutions

Roof Seals

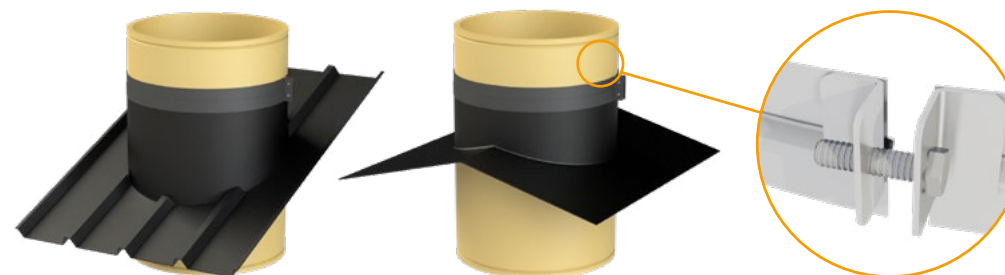


Contra Rings

For closing the space between the chimney and the roof indoors we offer contra rings.



Roof Plates with and without flanges



As seen in the images above roof plates with flanges are used for chimneys which have PE rain cones attached on top, directly outside of the house.

[INFO](#)
[DATASHEET](#)
[ASSEMBLY](#)
[MOUNTING](#)
[WORKING](#)
[MAINTENANCE](#)




Light Traps

Specially designed for use in chimneys, our light traps are easily mounted in place. Made out of hard plastic they are easy to clean with a pressure washer. To make cleaning even more easy we also developed a hinging ring. This hinging ring makes opening up the chimney much more easy. This way you can easily get access to the light trap or fan.

The light reduction factor of our light trap for chimneys is approx. 2.200.000

[INFO](#)[DATASHEET](#)[ASSEMBLY](#)[MOUNTING](#)[WORKING](#)[MAINTENANCE](#)



Light Traps

Mounting the light traps inside the chimneys is easy work. Choose the desired position in the chimney, then mount the bottom ring in place using 4 bolts washers and nuts. Next, drop the light trap onto the ring and clamp it in place by installing the top ring.

The hinging ring can be used to easily get access to the fan or light trap. The ring consists of two rings, hinged together and connected by bolts. Two rotational clamps make sure the chimney can be closed firmly.

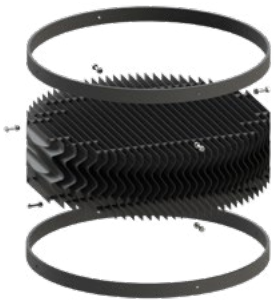
LIGHT TRAPS PARTS

TPI-910	Light trap	for chimney \varnothing 640mm / 25.2"
TPI-911	Light trap	for chimney \varnothing 720mm / 28.35"
TPI-912	Light trap	for chimney \varnothing 820mm / 32.28"
TPI-913	Light trap	for chimney \varnothing 920mm / 36.22"

* The light traps are delivered with two PE mounting rings.

LIGHT TRAPS PARTS

906407	Hinging ring	for chimney \varnothing 640mm / 25.2"
907207	Hinging ring	for chimney \varnothing 720mm / 28.35"
908207	Hinging ring	for chimney \varnothing 820mm / 32.28"
908207	Hinging ring	for chimney \varnothing 820mm / 32.28"


[INFO](#)
[DATASHEET](#)
[ASSEMBLY](#)
[MOUNTING](#)
[WORKING](#)
[MAINTENANCE](#)




Light Traps

Light Traps

Mounting the light traps inside the chimneys is easy work. Choose the desired position in the chimney, then mount the bottom ring in place using 4 bolts washers and nuts. Next, drop the light trap onto the ring and clamp it in place by installing the top ring.

Hinging Rings

Mounting the hinging rings onto the PU half shells is easily done by tightening the bolt.

[INFO](#)[DATASHEET](#)[ASSEMBLY](#)[MOUNTING](#)[WORKING](#)[MAINTENANCE](#)



Drip Trays

For areas that see lots of rain we can provide drip trays to place under the chimney. Attached with a chain set these trays can be suspended from the fan brackets seen in the example on the right. From these same fan brackets chains can also run upwards to the roof construction to carry the chimney.

Water caught in the drip tray usually evaporates quickly due to the temperature in the house.

Just like other PU parts in our program these drip trays are available in black and in yellow colours.

[INFO](#)[DATASHEET](#)[ASSEMBLY](#)[MOUNTING](#)[WORKING](#)[MAINTENANCE](#)



Drip Trays

INFORMATION

Chimney Diameter	Drip Tray
------------------	-----------

640mm / 25.2"	531115
---------------	--------

720mm / 28.35"	531115
----------------	--------

820mm / 32.28"	531115
----------------	--------

920mm / 36.22"	531115
----------------	--------

* Chain set

ACCESSORIES FOR SUSPENSION

900030	Stainless steel bracket for fan, 1 per fan arm
--------	--

900101	Chain for suspension, 1m, 1 per bracket
--------	---


[INFO](#)
[DATASHEET](#)
[ASSEMBLY](#)
[MOUNTING](#)
[WORKING](#)
[MAINTENANCE](#)




Drip Trays

Connect the chain set to the 3 brackets which are bolted onto the chimney. The ideal height for the brackets should be determined regarding the desired drip tray position.

[INFO](#)[DATASHEET](#)[ASSEMBLY](#)[MOUNTING](#)[WORKING](#)[MAINTENANCE](#)



Suspension Materials

For suspending chimneys to the roof a variety of techniques can be used. We designed two solutions that work very well with our chimneys:

Chained suspension

A suspension ring with multiple eyes is equipped with chains to suspend the chimney from the roof structure.

Bolted suspension

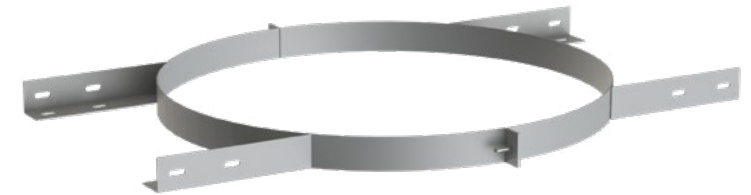
A suspension ring with 4 arms is bolted directly onto the ceiling or roof structure.

Securing a chimney with cable

The suspension ring can be also used to secure the chimney if it sticks out high above the roof. Combined with cables this stops the wind from throwing it off the roof.

Securing the fans

The suspension ring with 4 arms can be used to support the fans that are mounted in lower part of the chimney, this is a must to avoid that fans have the possibility to fall down.


[INFO](#)
[DATASHEET](#)
[ASSEMBLY](#)
[MOUNTING](#)
[WORKING](#)
[MAINTENANCE](#)



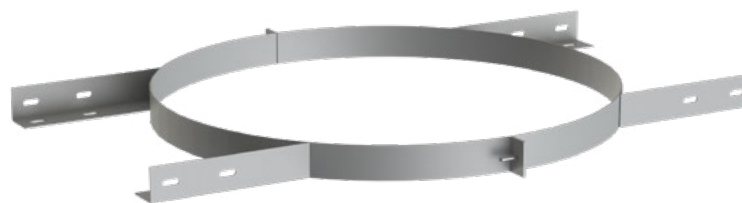

Suspension Materials

SUSPENSION RINGS

806407	Tightening ring	for suspension \varnothing 640mm, 40mm, 4 eyes
807207	Tightening ring	for suspension \varnothing 720mm, 40mm, 4 eyes
808207	Tightening ring	for suspension \varnothing 820mm, 40mm, 4 eyes
809207	Tightening ring	for suspension \varnothing 920mm, 40mm, 4 eyes
900103	Chain set (4x 2m)	for chimneys of all diameters

MOUNTING RINGS

906406	Tightening ring \varnothing 640mm, 4 arms	for fixation to roof structure
907206	Tightening ring \varnothing 720mm, 4 arms	for fixation to roof structure
908206	Tightening ring \varnothing 820mm, 4 arms	for fixation to roof structure
909206	Tightening ring \varnothing 920mm, 4 arms	for fixation to roof structure


[INFO](#)
[DATASHEET](#)
[ASSEMBLY](#)
[MOUNTING](#)
[WORKING](#)
[MAINTENANCE](#)



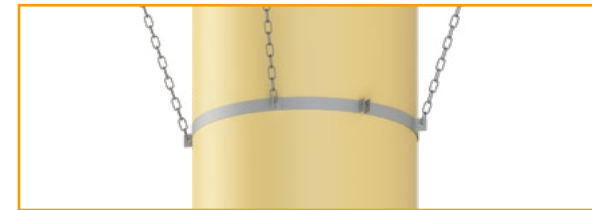

Suspension Materials

For the many different types of roof construction imaginable in poultry and pig houses, there is always a solution. With our suspension solutions we offer a variety of three options to mount your chimney into place.

The first option is bolted suspension, where a rigid ring is used to directly bolt the chimney onto wooden or metal support beams. This ring also works well for flat ceilings and ridge line mounting where the chimney is in a central and symmetrical position.

The second option is to use a suspension ring with a chain set to suspend the chimney from different types of structures. This works in the most asymmetrical and challenging locations as individual chain lengths and mounting points can be determined.

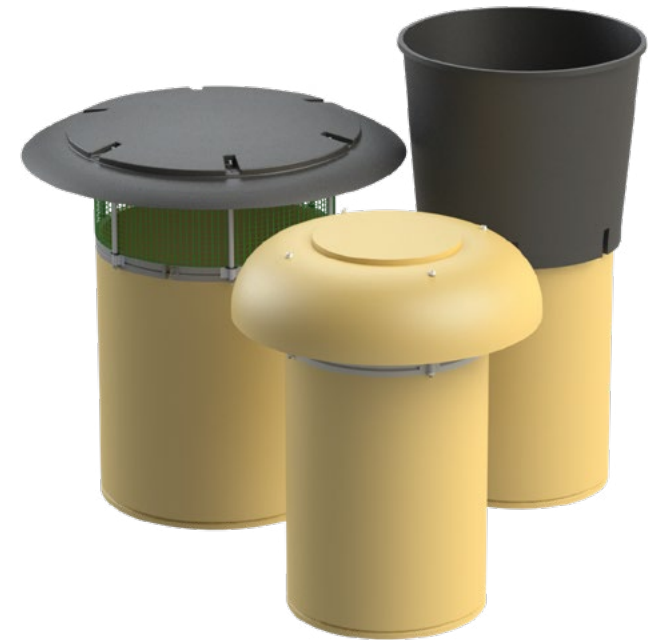
The third option is to suspend the chimney with the same chain set, this time attaching the chains to the fan brackets. This option is highly recommend as a safety feature to avoid that fans can drop or break loss. This option is only available if you have a fan and fan brackets installed.


[INFO](#)
[DATASHEET](#)
[ASSEMBLY](#)
[MOUNTING](#)
[WORKING](#)
[MAINTENANCE](#)




PE Rain Caps / Cones

To stop rain from entering air intake or exhaust chimneys we offer rain caps or cones. Made out of durable and strong polyethylene or out of polyurethane. Listed in our datasheet are the PE options you can find in our program. Our PU rain caps are available in such a wide that we would advise to get in touch with our sales team to see which cap would be the perfect fit for your project.

[INFO](#)[DATASHEET](#)[ASSEMBLY](#)[MOUNTING](#)[WORKING](#)[MAINTENANCE](#)



Rain Caps / Cones

PE Cones

220640	Black environmental PE cone for tube \varnothing 640mm / 25.2", L=750mm / 29.5".
220720	Black environmental PE cone for tube \varnothing 720mm / 28.35", L=750mm / 29.5".
220820	Black environmental PE cone for tube \varnothing 820mm / 32.28", L=750mm / 29.5".
220920	Black environmental PE cone for tube \varnothing 920mm / 36.22", L=750mm / 29.5".

PE Rain Caps

531108	PE rain cap \varnothing 1108mm / 43.6". For chimney \varnothing 640mm and \varnothing 720mm / 28.35".
531386	PE rain cap \varnothing 1386mm / 54.57". For chimney \varnothing 820mm and \varnothing 920mm / 36.22".

Tightening Rings For PE Rain Caps

906403	Tightening ring \varnothing 640mm / 25.2", incl. 4 distance shafts for rain cap PE
907203	Tightening ring \varnothing 720mm / 28.35", incl. 4 distance shafts for rain cap PE.
908203	Tightening ring \varnothing 820mm / 32.28", incl. 6 distance shafts for rain cap PE.
909203	Tightening ring \varnothing 920mm / 36.22", incl. 6 distance shafts for rain cap PE

PU Rain Caps

531100	PU rain cap \varnothing 800mm / 31.5", parabola. For chimney \varnothing 640mm / 25.2".
530145	PU rain cap \varnothing 1300mm / 51.18", parabola. For chimney \varnothing 720mm / 28.35" and \varnothing 820mm / 32.28".
531115	PU rain cap \varnothing 1200mm / 47.24", parabola. For chimney \varnothing 920mm / 36.22".

Tightening Rings For PU Rain Caps

906402	Tightening ring \varnothing 640mm / 25.2", incl. 4 distance shafts for rain cap PU.
907202	Tightening ring \varnothing 720mm / 28.35", incl. 4 distance shafts for rain cap PU.
908202	Tightening ring \varnothing 820mm / 32.28", incl. 6 distance shafts for rain cap PU.
909202	Tightening ring \varnothing 920mm / 36.22", incl. 6 distance shafts for rain cap PU.

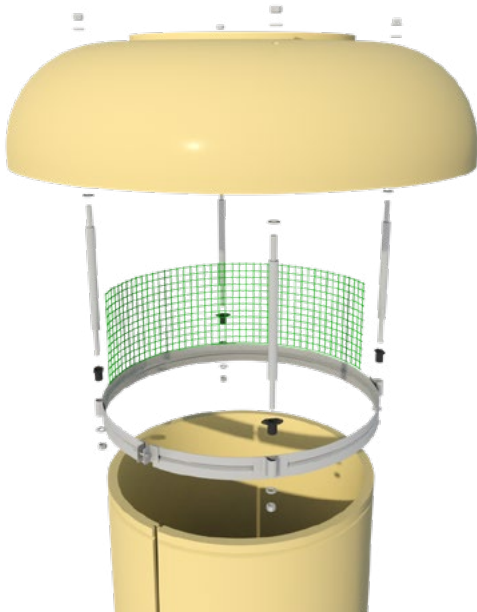
* We offer a wide variety of rain caps, for more information on our program please feel free to get in touch with our sales team.

[INFO](#)
[DATASHEET](#)
[ASSEMBLY](#)
[MOUNTING](#)
[WORKING](#)
[MAINTENANCE](#)

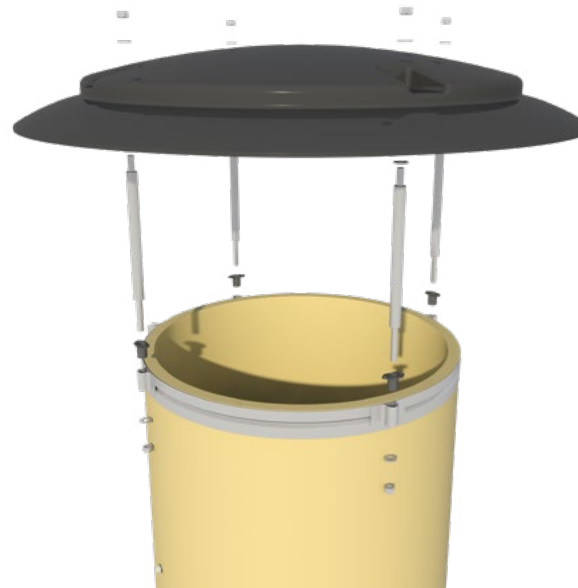



Rain Caps / Cones

PU RAIN CAP



PE RAIN CAP



PE RAIN CONE



INFO

DATASHEET

ASSEMBLY

MOUNTING

WORKING

MAINTENANCE





Valves

Valves can be used for closing or partially closing off chimneys. We offer two types of valves:

Butterfly Valve

This type of valve only works for exhaust chimneys. It closes due to gravity, when the exhaust airflow stops the valves fall shut.

Damper Unit

This unit is usable for both exhaust and inlet chimneys. An automated damper unit equipped with two valves and an actuator to control them. This unit is already assembled upon delivery. It is available in both black and yellow PU colours. With using two valves instead of a single round valve allows for easier installation and less space used.

Our damper units work very well with Belimo servo motors:

www.belimo.com



INFO

DATASHEET

ASSEMBLY

MOUNTING

WORKING

MAINTENANCE





Valves

Butterfly Valves (on top of tube)

254641	Butterfly valve in PE/dibond ø640mm / 25.2" on top of tube, complete.
254721	Butterfly valve in PE/dibond ø720mm / 28.35" on top of tube, complete.
254821	Butterfly valve in PE/dibond ø820mm / 32.28" on top of tube, complete.
254921	Butterfly valve in PE/dibond ø920mm / 36.22" on top of tube, complete.

Damper Units

251640	Damper unit PU ø640mm / 25.2"
251720	Damper unit PU ø720mm / 28.35"
251820	Damper unit PU ø820mm / 32.28"
251920	Damper unit PU ø920mm / 36.22"

NM24AX-SR-F Servomotor for damper unit, 10Nm, 2-10V.

www.belimo.com

Butterfly Valves (in tube)

254640	Butterfly valve in PE/dibond ø640mm / 25.2" in tube, complete.
254720	Butterfly valve in PE/dibond ø720mm / 28.35" in tube, complete.
254820	Butterfly valve in PE/dibond ø820mm / 32.28" in tube, complete.
254920	Butterfly valve in PE/dibond ø920mm / 36.22" in tube, complete.
254000.640	Control unit for butterfly valve ø640mm / 25.2" in tube.
254000.720	Control unit for butterfly valve ø720mm / 28.35" in tube.
254000.820	Control unit for butterfly valve ø820mm / 32.28" in tube.
254000.920	Control unit for butterfly valve ø920mm / 36.22" in tube.

INFO

DATASHEET

ASSEMBLY

MOUNTING

WORKING

MAINTENANCE





Valves

Butterfly Valve

This type of valve should be mounting inside or on top of the chimney. When a fan is used in the exhaust chimney make sure the valve is positioned above the fan.

Damper Unit

For optimal capacity the damper unit should see the air pass in a straight flow. This means the fan should be positioned after the damper unit, so the airflow does not rotate before passing the damper unit. With inlet chimneys the damper sits above the fan, with exhaust chimneys it is placed under the fan.



* Our chimneys do not come equipped with a fan, in the examples to the right we point out the position where a fan should be mounted.

[INFO](#)
[DATASHEET](#)
[ASSEMBLY](#)
[MOUNTING](#)
[WORKING](#)
[MAINTENANCE](#)




Chimney Extension

All chimneys within our program are offered in a standard height which we consider the minimum height per model. All chimneys can easily extend by simply adding a 0,5 or 1 meter / 19.69" or 39.37" long section with an connection ring. To add an extra 0.5 or 1 meter section to your chimney please find the overview of extension sets in the datasheet.

For advice on where best to add the extra half shells in the chimney assembly please get in touch with our sales team as situations and positioning may vary due to different construction options in the building.

[INFO](#)[DATASHEET](#)[ASSEMBLY](#)[MOUNTING](#)[WORKING](#)[MAINTENANCE](#)



Chimney Extension

EXTENTION PIECES

	0.5 meter	1 meter	Connection ring
Chimney extention 640mm / 25.2"	236403(B)	236402(B)	806401
Chimney extention 720mm / 28.35"	237203(B)	237202(B)	807201
Chimney extention 820mm / 32.28"	238203(B)	238202(B)	808201
Chimney extention 920mm / 36.22"	239203(B)	239202(B)	809201

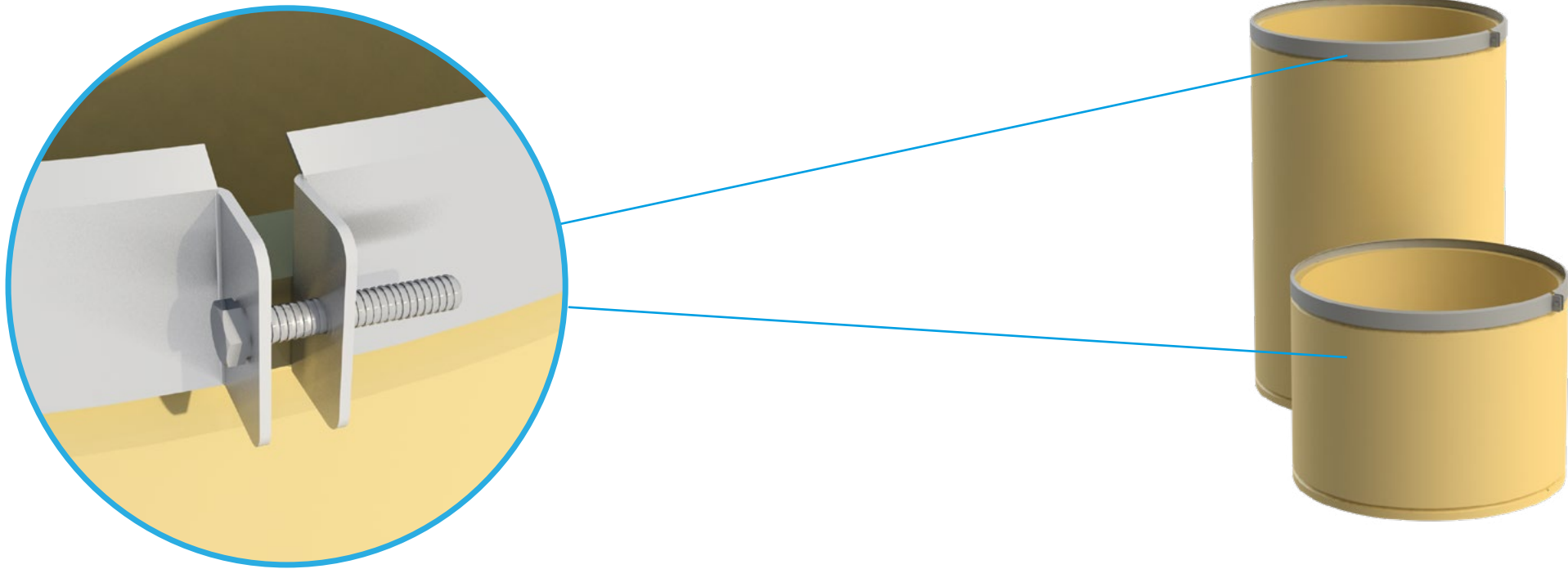
* Use the B at the end of the article number for Black PU colour.

Example for 820mm / 32.28", 0,5 m / 19.69"r extention in Black: **238203(B)**


[INFO](#)
[DATASHEET](#)
[ASSEMBLY](#)
[MOUNTING](#)
[WORKING](#)
[MAINTENANCE](#)




Chimney Extension



INFO

DATASHEET

ASSEMBLY

MOUNTING

WORKING

MAINTENANCE





Corners & T-Pieces

We offer a wide variety of ventilation chimney parts. For all dimensions available in our program we can offer corners and T-pieces as well as Y-pieces. We can offer the following range of corners: 10 /15 /20 /25 /30 /45 which can be combined to achieve all possible angles. T-pieces and Y-pieces are available in combinations of different dimensions. Because we have a wide variety of corners, T and Y-pieces, these products are not listed in the datasheet. Get in touch with sales to enquire for article numbers related to products matching your specific needs.


[INFO](#)
[DATASHEET](#)
[ASSEMBLY](#)
[MOUNTING](#)
[WORKING](#)
[MAINTENANCE](#)




Corners & T-Pieces

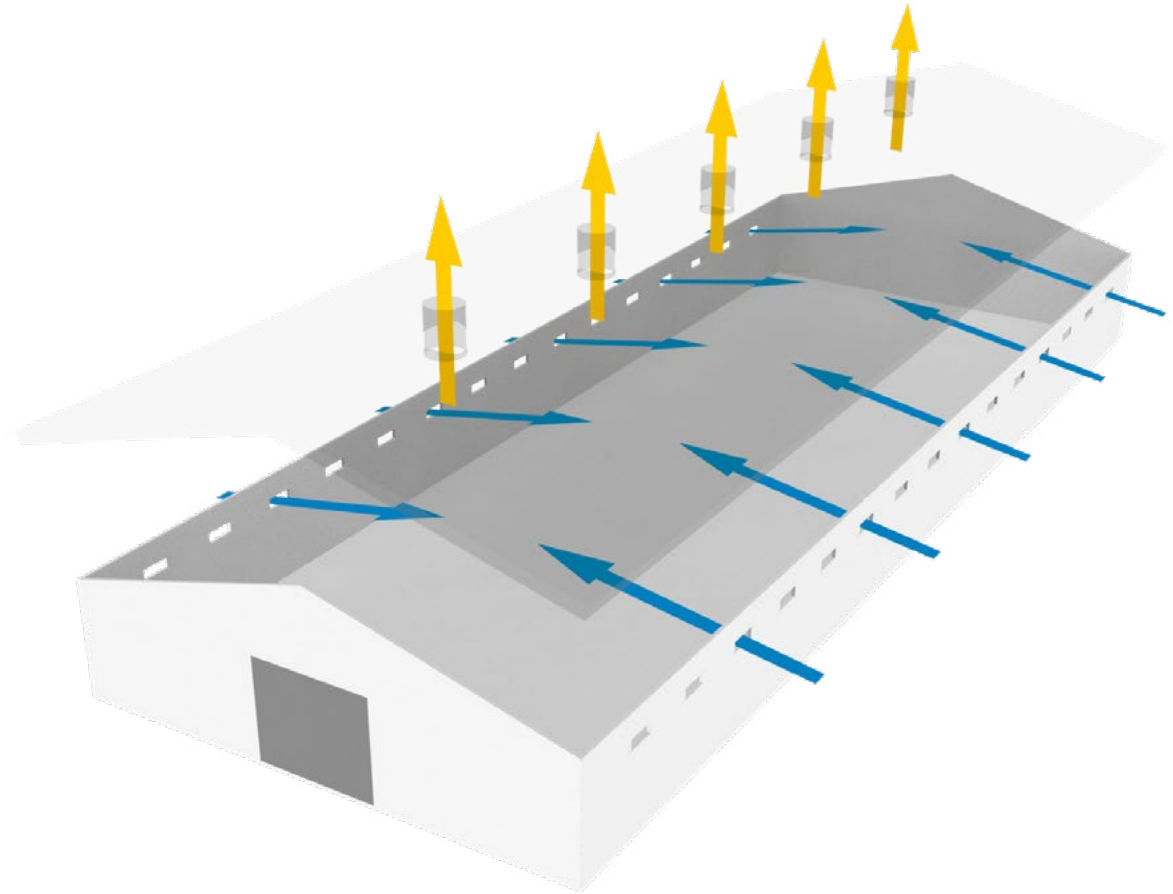
Corners

Assembly of corners is done similar to half shells. Stainless steel connection rings are used to connect two halves of a corner while making the connection to the chimney. An additional tightening ring can be used to firmly hold the corners half shells together. Silicon sealant can be applied on the side profile of the half shells to ensure an air tight connection.


[INFO](#)
[DATASHEET](#)
[ASSEMBLY](#)
[MOUNTING](#)
[WORKING](#)
[MAINTENANCE](#)


VENTILATION CONCEPTS

-  **ROOF VENTILATION**
-  **ROOF TUNNEL VENTILATION**
-  **CEILING VENTILATION**
-  **CHIMNEY VENTILATION**



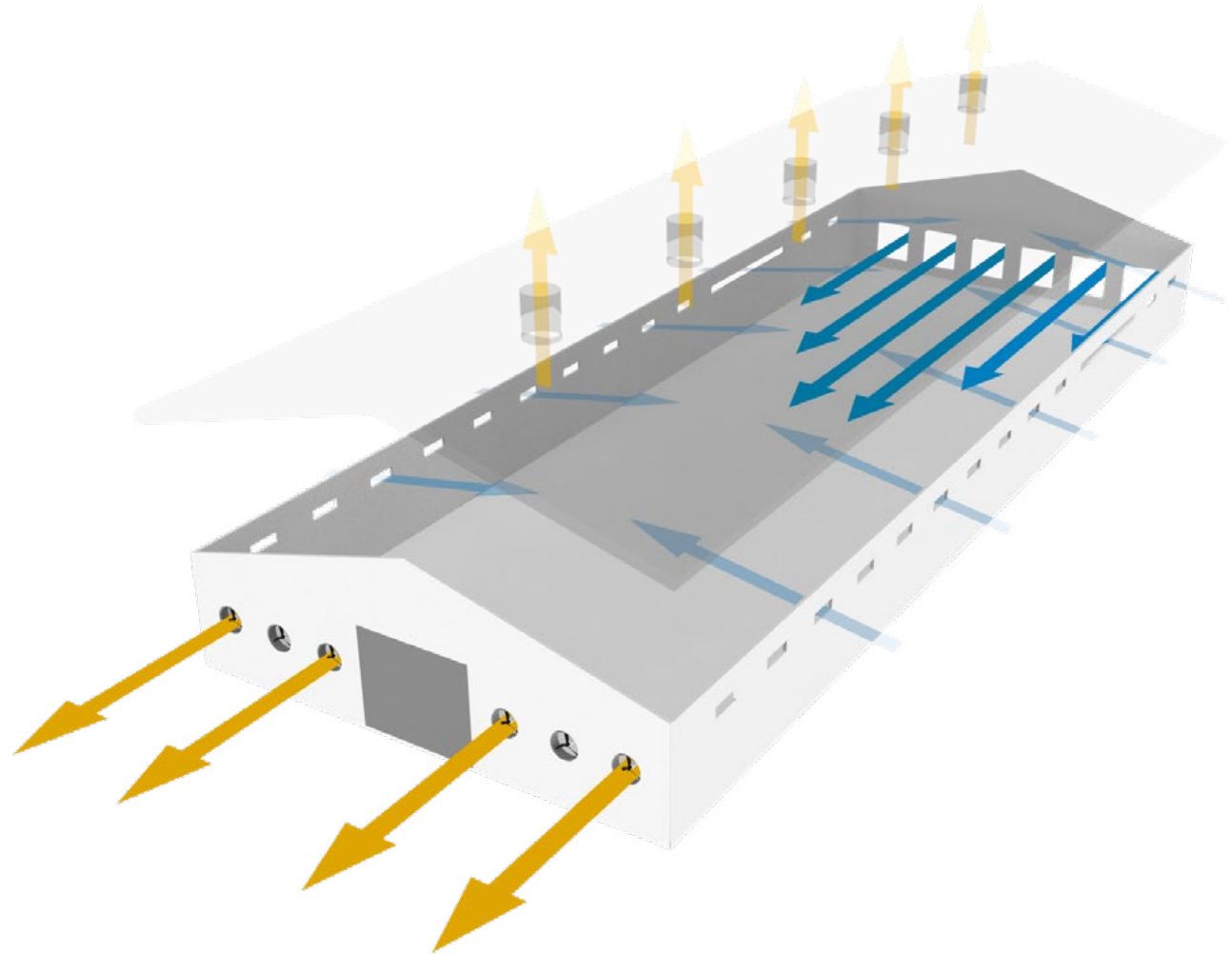
Roof ventilation

The incoming air enters the house through inlets in both sidewalls. Exhaust air is taken out of the house through ventilation chimneys.



VENTILATION CONCEPTS

- + ROOF VENTILATION
- + ROOF TUNNEL VENTILATION
- + CEILING VENTILATION
- + CHIMNEY VENTILATION



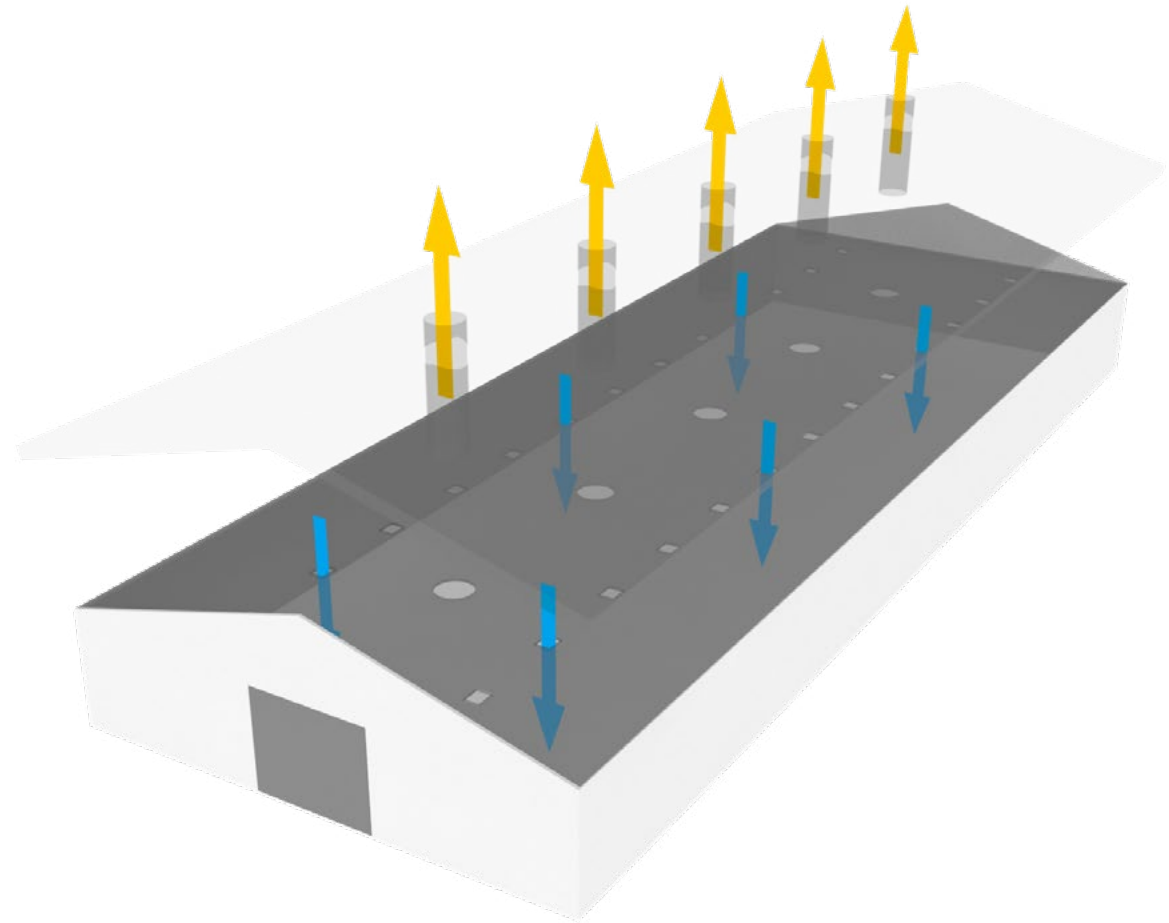
Combined roof – tunnel ventilation

This is a combination of two systems. During minimum ventilation air enters the house through inlets in both sidewalls. Exhaust air is taken out of the house through ventilation chimneys. During maximum ventilation the incoming air enters the house through tunnel units in the front gable. Exhaust air is taken out through fans in the end gable.



VENTILATION CONCEPTS

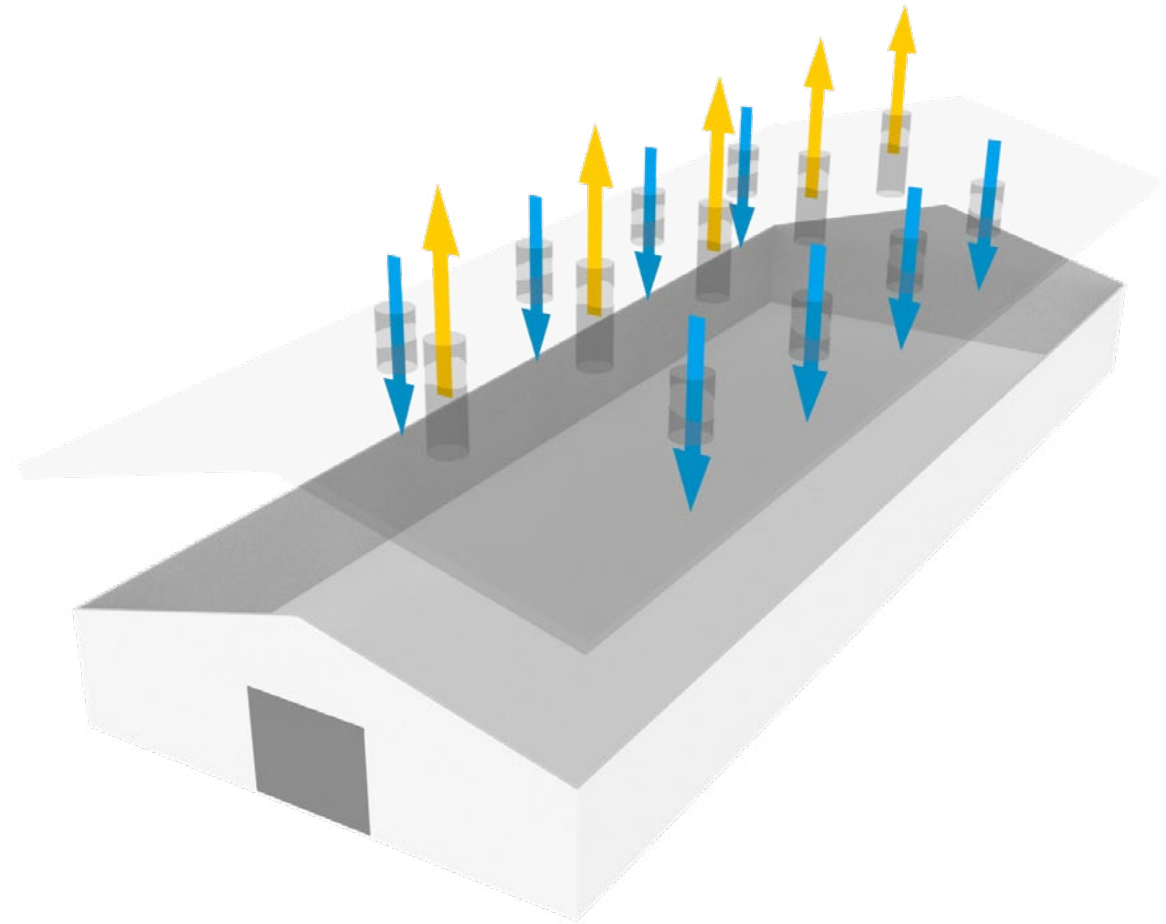
-  **ROOF VENTILATION**
-  **ROOF TUNNEL VENTILATION**
-  **CEILING VENTILATION**
-  **CHIMNEY VENTILATION**




Ceiling ventilation

The incoming air enters the house through ceiling inlets. Exhaust air is taken out of the house through ventilation chimneys.

VENTILATION CONCEPTS



-  **ROOF VENTILATION**
-  **ROOF TUNNEL VENTILATION**
-  **CEILING VENTILATION**
-  **CHIMNEY VENTILATION**

Chimney ventilation

The incoming air enters the house through ventilation chimneys and exhaust air is also taken out through ventilation chimneys.





WARRANTY / MAINTENANCE

EUROPEAN WARRANTY

TPI-Polytechnik offers a 1 year warranty on manufacturers defects. This warranty covers any defects cause by faulty production or design flaws. For parts that are designed to move, wear and tear there is no warranty as these parts are intended and designed to be replaceable. To find details on which parts are marked as replaceable please contact TPI-Polytechnik for further information.

Since TPI-Polytechnik products are meant to be installed by professionals there is no warranty over installation mishaps or any damage caused by incorrect installation of the products herein. TPI-Polytechnik does offer a service warranty of 1 years over correctly and professionally installed products, therefore we strongly advise to use professional personnel. Our polyurethane formula guarantees high insulation values but does not in any case guarantee that our products cannot freeze when in low temperatures. To ensure optimal functioning of your product(s) please contact your dealer or TPI-Polytechnik for information on installation, set-up adjustments and functionality.

Please note that under no circumstance TPI-Polytechnik is responsible for injuries or loss of life due to malfunction of our products!

USA WARRANTY

TPI Polytechnics Inc. offers a 1 year warranty on manufacturers defects. This warranty covers any defects cause by faulty production or design flaws. For parts that are designed to move, wear and tear there is no warranty as these parts are intended and designed to be replaceable. To find details on which parts are marked as replaceable please contact TPI Polytechnics Inc. for further information.

Since TPI Polytechnics Inc. products are meant to be installed by professionals there is no warranty over installation mishaps or any damage caused by incorrect installation of the products herein. TPI Polytechnics does offer a service warranty of 1 years over correctly and professionally installed products, therefore we strongly advise to use professional personnel.

Our polyurethane formula guarantees high insulation values but does not in any case guarantee that our products cannot freeze when in low temperatures. To ensure optimal functioning of your product(s) please contact your dealer or TPI Polytechnics Inc. for information on installation, set-up adjustments and functionality.

Please note that under no circumstance TPI Polytechnics Inc. is responsible for injuries or loss of life due to malfunction of our products!

INSTALLATION - SET-UP - MAINTENANCE

Storage

Make sure to store chimney parts in a dry and cool place to prevent damage. A dry and cool place will help ensure the half shells and other PU parts stay in their original shape. When boxes with PU parts are stored outside in the rain or in hot weather, deformation of parts might occur.

Installing chimneys is often a two man job

Make sure to have some help around when installing chimneys in the roof. Often you will work at height and chimneys can be heavy especially when installing larger diameters or very tall chimneys. Having two pairs of hands or more is recommended.

Installing chimneys requires some planning

Make a plan for the installation sequence you want to follow. Oftentimes chimneys are built up out of two halves. The top half, which is being lowered through the roof from outside the house. And the bottom half which is then attached to the top half which should be already secured into the roof.

Use bolts with washers when attaching hooks, cables or any type of mounting support structures to the chimney

With the use of washers one can prevent bolts from sinking into the PU skin of the chimney.

The outer skin of the polyurethane is hard but the force exerted on bolts during installation might penetrate the skin.

Do not use foams or fillers to fill gap in between the chimney and the ceiling

Foams and fillers might cause damage to the chimney as they have different expansion values due to temperature differences. When in doubt, please ask your supplier for additional information.

Cleaning

Pay close attention while cleaning your chimneys, avoid using corrosive cleaning solutions that might harm the polyurethane. Also make sure not to use too much pressure with the pressure washers as it might damage the skin of the chimney. Use max. 120 bar / 1740 PSI at a minimal distance of 10cm / 4" and temperatures not exceeding 40°C / 104° F.

[BACK](#)